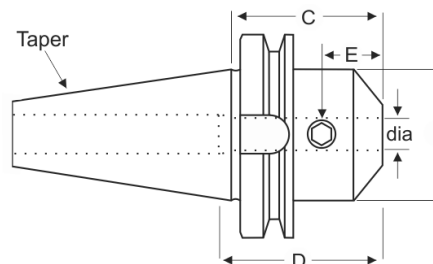


CAT-50 V-FLANGE TOOLHOLDERS

END MILL HOLDERS



- Large selection of end mill holders from nationally recognized manufacturers
- **Kingston Toolholders** are balanced to 15,000 RPM @ g6.3
- **Spin Tru Toolholders** are balanced to 15,000 RPM @ g2.5
- Full line available from all vendors listed-please call for information



CAT 50		ENDMILL HOLDERS									
Dia	C Proj.	B OD	D Max Socket Depth	E	Brand	Part Number	Price Each	Set Screw Size	Set Screw Part Number	MAX RPM Balanced Up to	Code
3/16"	2.50	0.68	-	-	Kingston	C50-18EM250-K	\$76.95	10-32	SSE-10-32-250	15,000G6.3	F
		0.68	-	-	Spin Tru	C50-18EM250-KB	\$95.68	10-32	SSE-10-32-250	15,000G2.5	D
	4.50	0.68	-	-	Kingston	C50-18EM450-K	\$82.45	10-32	SSE-10-32-250	15,000G6.3	F
		0.68	-	-	Spin Tru	C50-18EM450-KB	\$102.04	10-32	SSE-10-32-250	15,000G2.5	D
	6.50	0.68	-	-	Kingston	C50-18EM650-K	\$82.45	10-32	SSE-10-32-250	15,000G6.3	F
		0.68	-	-	Spin Tru	C50-18EM650-KB	\$101.56	10-32	SSE-10-32-250	15,000G2.5	D
1/4"	1.38	1	-	-	Kingston	C50-25EM138-K	\$76.95	1/4"-20	SSE-25-20-250	15,000G6.3	F
		0.78	4	0.75	Spin Tru	C50-25EM138-KB	\$95.68	1/4"-20	SSE-25-20-250	15,000G2.5	D
		0.79	-	-	Sowa	C50-25EM138-GB	\$115.02	1/4"-28	SSE-25-28-250	15,000	C
	2.50	1	-	-	Kingston	C50-25EM250-K	\$76.95	1/4"-20	SSE-25-20-250	15,000G6.3	F
		0.78	4	0.75	Spin Tru	C50-25EM250-KB	\$95.68	1/4"-20	SSE-25-20-250	15,000G2.5	D
		0.79	-	-	Sowa	C50-25EM250-GB	\$121.50	1/4"-28	SSE-25-28-250	15,000	C
	4.00	-	-	-	Spin Tru	C50-25EM400-KB	\$100.71	1/4"-20	SSE-25-20-250	15,000G2.5	D
	4.50	1	-	-	Kingston	C50-25EM450-K	\$82.45	1/4"-20	SSE-25-20-250	15,000G6.3	F
	6.00	-	-	-	Spin Tru	C50-25EM600-KB	\$100.71	1/4"-20	SSE-25-20-250	15,000G2.5	D
	6.50	1	-	-	Kingston	C50-25EM650-K	\$82.45	1/4"-20	SSE-25-20-250	15,000G6.3	F
	8.00	-	-	-	Spin Tru	C50-25EM800-KB	\$100.71	1/4"-20	SSE-25-20-250	15,000G2.5	D
		0.79	1.10	-	Lyndex	C50-25EM800-L	\$236.55	1/4"-28(1)	SSE-25-28-250	-	B
5/16"	2.50	1	-	-	Kingston	C50-31EM250-K	\$76.95	5/16"-18	SSE-31-18-313	15,000G6.3	F
		1	4	0.56	Spin Tru	C50-31EM250-KB	\$95.68	5/16"-18	SSE-31-18-313	15,000G2.5	D
		0.87	1.26	-	Lyndex	C50-31EM250-L	\$163.64	5/16"-24(1)	SSE-31-24-250	-	B
	4.00	-	-	-	Spin Tru	C50-31EM400-KB	\$98.20	5/16"-18	SSE-31-18-313	15,000G2.5	D
		0.98	-	-	Techniks	C50-31EM400-T	\$119.70	5/16"-24	SSE-31-24-313	-	B
		0.87	-	-	Sowa	C50-31EM400-GB	\$135.27	5/16"-24	SSE-31-24-250	15,000	C
	4.50	1	-	-	Kingston	C50-31EM450-K	\$82.45	5/16"-18	SSE-31-18-313	15,000G6.3	F
	6.00	-	-	-	Spin Tru	C50-31EM600-KB	\$100.71	5/16"-18	SSE-31-18-313	15,000G2.5	D
	0.87	1.26	-	Lyndex	C50-31EM600-L	\$214.48	5/16"-24(1)	SSE-31-24-250	-	B	
	6.50	1	-	-	Kingston	C50-31EM650-K	\$82.45	5/16"-18	SSE-31-18-313	15,000G6.3	F
3/8"	1.38	1.25	-	-	Kingston	C50-37EM138-K	\$76.95	3/8"-16	SSE-38-16-313	15,000G6.3	F
		1	5.08	0.75	Spin Tru	C50-37EM138-KB	\$95.68	3/8"-16	SSE-38-16-313	15,000G2.5	D
		1	-	-	Sowa	C50-37EM138-GB	\$115.02	3/8"-24	SSE-38-24-313	15,000	C
	2.50	1.25	-	-	Kingston	C50-37EM250-K	\$76.95	3/8"-16	SSE-38-16-313	15,000G6.3	F
		1	5.08	0.75	Spin Tru	C50-37EM250-KB	\$95.68	3/8"-16	SSE-38-16-313	15,000G2.5	D
		1	3	0.75	Parlec*	C50-37EM250-P	\$142.20	3/8"-24(1)	SSE-38-24-313	-	B
	4.00	-	-	-	Spin Tru	C50-37EM400-KB	\$100.71	3/8"-16	SSE-38-16-313	15,000G2.5	D
	4.50	1.25	-	-	Kingston	C50-37EM450-K	\$82.45	3/8"-16	SSE-38-16-313	15,000G6.3	F
	6.00	-	-	-	Spin Tru	C50-37EM600-KB	\$100.71	3/8"-16	SSE-38-16-313	15,000G2.5	D
	1	-	-	-	Sowa	C50-37EM600-GB	\$150.03	3/8"-24	SSE-38-24-313	15,000	C
	6.50	1.25	-	-	Kingston	C50-37EM650-K	\$82.45	3/8"-16	SSE-38-16-313	15,000G6.3	F
		1	3	0.75	Parlec*	C50-37EM650-P	\$184.95	3/8"-24(1)	SSE-38-24-313	-	B
	8.00	-	-	-	Spin Tru	C50-37EM800-KB	\$100.71	3/8"-16	SSE-38-16-313	15,000G2.5	D
	8.50	1.25	-	-	Kingston	C50-37EM850-K	\$82.45	3/8"-16	SSE-38-16-313	15,000G6.3	F
		1.25	-	-	Spin Tru	C50-37EM850-KB	\$101.56	3/8"-16	SSE-38-16-313	15,000G2.5	D
7/16"	2.50	1.25	1.50	0.75	Spin Tru	C50-43EM250-KB	\$95.68	7/16"-14	SSE-44-14-375	15,000G2.5	D
	2.62	-	-	-	Kingston	C50-43EM262-K	\$76.95	7/16"-14	SSE-44-14-375	15,000G6.3	F
	4.00	-	-	-	Spin Tru	C50-43EM400-KB	\$98.20	7/16"-14	SSE-44-14-375	15,000G2.5	D
	6.00	-	-	-	Spin Tru	C50-43EM600-KB	\$100.71	7/16"-14	SSE-44-14-375	15,000G2.5	D
	8.00	-	-	-	Spin Tru	C50-43EM800-KB	\$100.71	7/16"-14	SSE-44-14-375	15,000G2.5	D

LATHE CHUCKS
LIVE CENTERS

WISE JAWS
WISE ACCESSORIES

STRAIGHT SHANK
COLLET HOLDERS

TAP HOLDERS
DRILL CHUCKS

CARBIDE INSERTS
THREADING/GROOVING

CUTTING TOOLS
MACHINERY

PRECISION TOOLS
DEBRUING

COOLANT/FLUIDS
TOOL STORAGE

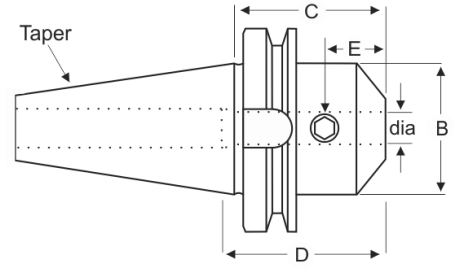
Call Us Or Visit Our Website For Our Complete Selection!

CAT-50 V-FLANGE TOOLHOLDERS

END MILL HOLDERS



- Large selection of end mill holders from nationally recognized manufacturers
- **Kingston Toolholders** are balanced to 15,000 RPM @ g6.3
- **Spin Tru Toolholders** are balanced to 15,000 RPM @ g2.5
- Full line available from all vendors listed-please call for information



CAT 50		ENDMILL HOLDERS									
Dia	C Proj.	B OD	D Max Socket Depth	E	Brand	Part Number	Price Each	Set Screw Size	Set Screw Part Number	MAX RPM Balanced Up to	Code
1/2"	1.38	1.25	-	-	Kingston	C50-50EM138-K	\$76.95	7/16"-14	SSE-44-14-375	15,000G6.3	F
		1.25	-	-	Spin Tru	C50-50EM138-KB	\$95.68	7/16"-14	SSE-44-14-375	15,000G2.5	D
	1.75	-	-	-	Spin Tru	C50-50EM175-KB	\$95.68	7/16"-14	SSE-44-14-375	15,000G2.5	D
		1.38	1.50	-	Lyndex	C50-50EM175-L	\$176.42	7/16"-20(1)	SSE-44-20-375	-	B
	2.62	1.38	-	-	Sowa	C50-50EM175-GB	\$115.02	7/16"-20	SSE-44-20-375	15,000	C
		1.25	3	0.88	Parlec	C50-50EM262-P	\$142.20	7/16"-20(1)	SSE-44-20-375	-	B
	2.63	-	-	-	Kingston	C50-50EM263-K	\$76.95	7/16"-14	SSE-44-14-375	15,000G6.3	F
		-	-	-	Spin Tru	C50-50EM263-KB	\$95.68	7/16"-14	SSE-44-14-375	15,000G2.5	D
	4.00	-	-	-	Spin Tru	C50-50EM400-KB	\$100.71	7/16"-14	SSE-44-14-375	15,000G2.5	D
		1.75	-	-	Technix	C50-50EM400-T	\$119.70	7/16"-20	SSE-44-20-437	-	B
4.62	1.38	-	-	Sowa	C50-50EM400-GB	\$135.27	7/16"-20	SSE-44-20-375	15,000	C	
	1.25	-	-	Kingston	C50-50EM462-K	\$82.45	7/16"-14	SSE-44-14-375	15,000G6.3	F	
6.00	-	-	-	Spin Tru	C50-50EM600-KB	\$100.71	7/16"-14	SSE-44-14-375	15,000G2.5	D	
	1.38	-	-	Sowa	C50-50EM600-GB	\$155.52	7/16"-20	SSE-44-20-375	15,000	C	
6.50	-	-	-	Kingston	C50-50EM650-K	\$82.45	7/16"-14	SSE-44-14-375	15,000G6.3	F	
	-	-	-	Spin Tru	C50-50EM800-KB	\$100.71	7/16"-14	SSE-44-14-375	15,000G2.5	D	
8.00	1.38	1.48	-	Lyndex	C50-50EM800-L	\$229.43	7/16"-20(1)	SSE-44-20-375	-	B	
	1.25	-	-	Kingston	C50-50EM850-K	\$82.45	7/16"-14	SSE-44-14-375	15,000G6.3	F	
9/16"	2.50	-	-	Kingston	C50-56EM250-K	\$76.95	7/16"-14	SSE-44-14-375	15,000G6.3	F	
	3.00	-	-	Kingston	C50-56EM300-K	\$76.95	7/16"-14	SSE-44-14-375	15,000G6.3	F	
5/8"	1.38	1.5	-	-	Kingston	C50-62EM138-K	\$76.95	9/16"-12	SSE-46-12-500	15,000G6.3	F
		1.5	-	-	Spin Tru	C50-62EM138-KB	\$95.68	9/16"-12	SSE-46-12-500	15,000G2.5	D
	1.75	-	-	-	Spin Tru	C50-62EM175-KB	\$95.68	9/16"-12	SSE-46-12-500	15,000G2.5	D
		1.65	1.61	-	Lyndex	C50-62EM175-L	\$182.64	9/16"-18(1)	SSE-56-18-500	-	B
	3.00	1.65	-	-	Sowa	C50-62EM175-GB	\$115.02	9/16"-18	SSE-56-18-500	15,000	C
		-	-	-	Spin Tru	C50-62EM300-KB	\$95.68	9/16"-12	SSE-46-12-500	15,000G2.5	D
	3.75	1.65	-	-	Sowa	C50-62EM300-GB	\$133.02	9/16"-18	SSE-56-18-500	15,000	C
		1.5	-	-	Kingston	C50-62EM375-K	\$76.95	9/16"-12	SSE-46-12-500	15,000G6.3	F
	4.00	1.5	3.5	0.94	Parlec*	C50-62EM375-P	\$144.90	9/16"-18(1)	SSE-56-18-430	-	B
		-	-	-	Spin Tru	C50-62EM400-KB	\$100.71	9/16"-12	SSE-46-12-500	15,000G2.5	D
5.75	1.65	1.61	-	Lyndex	C50-62EM400-L	\$178.60	9/16"-18(1)	SSE-56-18-500	-	B	
	1.5	-	-	Kingston	C50-62EM575-K	\$82.45	9/16"-12	SSE-46-12-500	15,000G6.3	F	
6.00	1.5	3.5	0.94	Parlec*	C50-62EM575-P	\$160.65	9/16"-18(1)	SSE-56-18-430	-	B	
	-	-	-	Spin Tru	C50-62EM600-KB	\$98.20	9/16"-12	SSE-46-12-500	15,000G2.5	D	
7.75	1.5	-	-	Kingston	C50-62EM775-K	\$82.45	9/16"-12	SSE-46-12-500	15,000G6.3	F	
	1.5	3.5	0.94	Parlec*	C50-62EM775-P	\$191.70	9/16"-18(1)	SSE-56-18-430	-	B	
8.00	-	-	-	Spin Tru	C50-62EM800-KB	\$100.71	9/16"-12	SSE-46-12-500	15,000G2.5	D	
	1.65	1.57	-	Lyndex	C50-62EM800-L	\$229.43	9/16"-18(1)	SSE-56-18-500	-	B	
3/4"	1.38	1.75	-	-	Kingston	C50-75EM138-K	\$76.95	5/8"-11	SSE-62-11-500	15,000G6.3	F
		1.75	-	-	Spin Tru	C50-75EM138-KB	\$95.68	5/8"-11	SSE-62-11-500	15,000G2.5	D
	1.75	-	-	-	Spin Tru	C50-75EM175-KB	\$95.68	5/8"-11	SSE-62-11-500	15,000G2.5	D
		1.89	-	-	Sowa	C50-75EM175-GB	\$115.83	5/8"-18	SSE-62-18-500	15,000	C
	3.00	-	-	-	Spin Tru	C50-75EM300-KB	\$95.68	5/8"-11	SSE-62-11-500	15,000G2.5	D
		1.89	1.77	-	Lyndex	C50-75EM300-L	\$154.38	5/8"-18(1)	SSE-62-18-500	-	B
	3.75	1.89	-	-	Sowa	C50-75EM300-GB	\$115.83	5/8"-18	SSE-62-18-500	15,000	C
		1.75	-	-	Kingston	C50-75EM375-K	\$76.95	5/8"-11	SSE-62-11-500	15,000G6.3	F
4.00	1.75	4	1	Parlec	C50-75EM375-P	\$144.90	5/8"-18(1)	SSE-62-18-500	-	B	
4.00	-	-	-	Spin Tru	C50-75EM400-KB	\$100.71	5/8"-11	SSE-62-11-500	15,000G2.5	D	

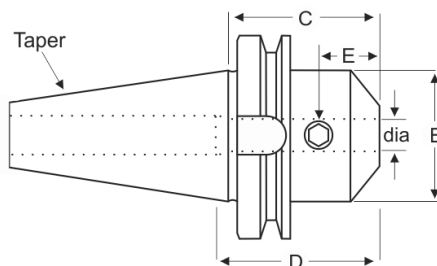
Call Us Today For All Of Your Machine Tool Needs!

CAT-50 V-FLANGE TOOLHOLDERS

END MILL HOLDERS



- Large selection of end mill holders from nationally recognized manufacturers
- **Kingston Toolholders** are balanced to 15,000 RPM @ g6.3
- **Spin Tru Toolholders** are balanced to 15,000 RPM @ g2.5
- Full line available from all vendors listed-please call for information



LATHE CHUCKS
LIVE CENTERS
VISE JAWS
VISE ACCESSORIES
STRAIGHT SHANK
COLLET HOLDERS
TAP HOLDERS
DRILL CHUCKS
CARBIDE INSERTS
THREADING/GROOVING
CUTTING TOOLS
MACHINERY
PRECISION TOOLS
DEBURRING
COOLANT/FLUIDS
TOOL STORAGE

CAT 50 ENDMILL HOLDERS

Dia	C Proj.	B OD	D Max Socket Depth	E	Brand	Part Number	Price Each	Set Screw Size	Set Screw Part Number	MAX RPM Balanced Up to	Code
3/4"	5.75	1.75	-	-	Kingston	C50-75EM575-K	\$82.45	5/8"-11	SSE-62-11-500	15,000G6.3	F
		1.75	4	1	Parlec*	C50-75EM575-P	\$139.05	5/8"-18(1)	SSE-62-18-500	-	B
	6.00	-	-	-	Spin Tru	C50-75EM600-KB	\$98.20	5/8"-11	SSE-62-11-500	15,000G2.5	D
		1.89	1.77	-	Lyndex	C50-75EM600-L	\$202.35	5/8"-18(1)	SSE-62-18-500	-	B
	7.00	-	-	-	Kingston	C50-75EM700-K	\$82.45	5/8"-11	SSE-62-11-500	15,000G6.3	F
	7.75	1.75	4	1	Parlec*	C50-75EM775-P	\$191.70	5/8"-18(1)	SSE-62-18-500	-	B
7/8"	1.38	2	-	-	Kingston	C50-87EM138-K	\$76.95	5/8"-11	SSE-62-11-500	15,000G6.3	F
		2	-	-	Spin Tru	C50-87EM138-KB	\$95.68	5/8"-11	SSE-62-11-500	15,000G2.5	D
	1.75	-	-	-	Spin Tru	C50-87EM175-KB	\$95.68	5/8"-11	SSE-62-11-500	15,000G2.5	D
		2	-	-	Kingston	C50-87EM375-K	\$76.95	5/8"-11	SSE-62-11-500	15,000G6.3	F
	3.75	2	4.31	1	Spin Tru	C50-87EM375-KB	\$92.79	5/8"-11	SSE-62-11-500	15,000G2.5	D
		2	-	-	Sowa	C50-87EM375-GB	\$135.27	5/8"-18	SSE-62-18-500	15,000	C
1"	1.88	4.19	1	Parlec*	C50-87EM375-P	\$144.00	5/8"-18(2)	SSE-62-18-500	-	B	
		2	2.08	-	Lyndex	C50-87EM375-L	\$162.45	5/8"-18(2)	SSE-62-18-500	-	B
	4.00	2.05	-	-	Techniks	C50-87EM400-T	\$119.70	5/8"-18	SSE-62-18-500	-	B
	5.75	2	-	-	Kingston	C50-87EM575-K	\$82.45	5/8"-11	SSE-62-11-500	15,000G6.3	F
		1.88	4.19	1	Parlec*	C50-87EM575-P	\$212.40	5/8"-18(2)	SSE-62-18-500	-	B
	6.00	-	-	-	Spin Tru	C50-87EM600-KB	\$98.20	5/8"-11	SSE-62-11-500	15,000G2.5	D
1"	7.75	2	-	-	Kingston	C50-87EM775-K	\$82.45	5/8"-11	SSE-62-11-500	15,000G6.3	F
		2	-	-	Spin Tru	C50-87EM775-KB	\$101.56	5/8"-11	SSE-62-11-500	15,000G2.5	D
	1.38	2.38	-	-	Kingston	C50-10EM138-K	\$76.95	3/4"-10	SSE-75-10-563	15,000G6.3	F
		2.38	-	-	Spin Tru	C50-10EM138-KB	\$95.68	3/4"-10	SSE-75-10-563	15,000G2.5	D
	2.00	-	-	-	Spin Tru	C50-10EM200-KB	\$95.68	3/4"-10	SSE-75-10-563	15,000G2.5	D
		2.36	-	-	Sowa	C50-10EM200-GB	\$125.46	3/4"-16	SSE-75-16-688	15,000	C
2.62	2.38	-	-	Kingston	C50-10EM262-K	\$76.95	3/4"-10	SSE-75-10-563	15,000G6.3	F	
1"	2.38	-	-	-	Kingston	C50-10EM400-K	\$76.95	3/4"-10	SSE-75-10-563	15,000G6.3	F
		2.00	4.56	1.13	Spin Tru	C50-10EM400-KB	\$95.24	3/4"-10	SSE-75-10-563	15,000G2.5	D
	4.00	2.00	4.44	1.12	Parlec*	C50-10EM400-P	\$144.00	3/4"-16(2)	SSE-75-16-500	-	B
		2.48	-	-	Techniks	C50-10EM400-T	\$119.70	3/4"-16	SSE-75-16-500	-	B
	6.00	2.38	-	-	Kingston	C50-10EM600-K	\$82.45	3/4"-10	SSE-75-10-563	15,000G6.3	F
		2.00	4.56	1.13	Spin Tru	C50-10EM600-KB	\$101.56	3/4"-10	SSE-75-10-563	15,000G2.5	D
8.00	2.00	4.44	1.12	Parlec*	C50-10EM600-P	\$150.75	3/4"-16(2)	SSE-75-16-500	-	B	
	2.38	-	-	Kingston	C50-10EM800-K	\$82.45	3/4"-10	SSE-75-10-563	15,000G6.3	F	
10.00	2.00	4.56	1.13	Spin Tru	C50-10EM800-KB	\$101.56	3/4"-10	SSE-75-10-563	15,000G2.5	D	
	2.36	2.36	-	Lyndex	C50-10EM800-L	\$210.19	3/4"-16(2)	SSE-75-16-688	-	B	
1-1/4"	1.38	2.38	-	-	Kingston	C50-10EM1000-K	\$82.45	3/4"-10	SSE-75-10-563	15,000G6.3	F
		2.38	-	-	Spin Tru	C50-10EM1000-KB	\$104.10	3/4"-10	SSE-75-10-563	15,000G2.5	D
	2.50	2.50	-	-	Kingston	C50-12EM138-K	\$76.95	3/4"-10	SSE-75-10-500	15,000G6.3	F
		2.50	-	-	Spin Tru	C50-12EM138-KB	\$95.68	3/4"-10	SSE-75-10-500	15,000G2.5	D
	2.00	-	-	-	Kingston	C50-12EM200-K	\$76.95	3/4"-10	SSE-75-10-500	15,000G6.3	F
		-	-	-	Spin Tru	C50-12EM200-KB	\$95.68	3/4"-10	SSE-75-10-500	15,000G2.5	D
2.75	2.55	-	-	Lyndex	C50-12EM200-L	\$189.05	3/4"-16(1)	SSE-75-16-688	-	B	

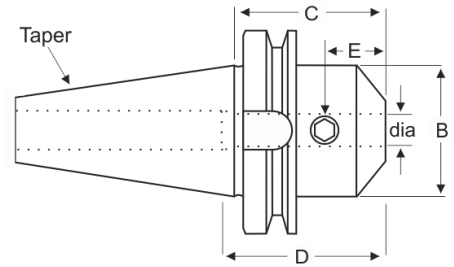
Call Us Or Visit Our Website For Our Complete Selection!

CAT-50 V-FLANGE TOOLHOLDERS

END MILL HOLDERS



- Large selection of end mill holders from nationally recognized manufacturers
- **Kingston Toolholders** are balanced to 15,000 RPM @ g6.3
- **Spin Tru Toolholders** are balanced to 15,000 RPM @ g2.5
- Full line available from all vendors listed-please call for information



CAT 50		ENDMILL HOLDERS									
Dia	C Proj.	B OD	D Max Socket Depth	E	Brand	Part Number	Price Each	Set Screw Size	Set Screw Part Number	MAX RPM Balanced Up to	Code
1-1/4" (cont.)	4.00	2.50	-	-	Kingston	C50-12EM400-K	\$76.95	3/4"-10	SSE-75-10-500	15,000G6.3	F
		2.50	2.52	1.13	Spin Tru	C50-12EM400-KB	\$95.24	3/4"-10	SSE-75-10-500	15,000G2.5	D
		2.50	3.35	1.12	Parlec*	C50-12EM400-P	\$150.75	3/4"-16(2)	SSE-75-16-625	-	B
		2.48	-	-	Sowa	C50-12EM400-GB	\$139.32	3/4"-16	SSE-75-16-688	15,000	C
	4.15	-	-	-	Kingston	C50-12EM415-K	\$82.45	3/4"-10	SSE-75-10-500	15,000G6.3	F
	6.00	2.50	-	-	Kingston	C50-12EM600-K	\$82.45	3/4"-10	SSE-75-10-500	15,000G6.3	F
		2.50	2.52	1.13	Spin Tru	C50-12EM600-KB	\$101.56	3/4"-10	SSE-75-10-500	15,000G2.5	D
		2.50	3.35	1.12	Parlec*	C50-12EM600-P	\$155.70	3/4"-16(2)	SSE-75-16-625	-	B
		2.48	2.55	-	Lyndex	C50-12EM600-L	\$197.84	3/4"-16(2)	SSE-75-16-688	-	B
	2.48	-	-	Sowa	C50-12EM600-GB	\$159.03	3/4"-16	SSE-75-16-688	15,000	C	
	8.00	2.50	-	-	Kingston	C50-12EM800-K	\$82.45	3/4"-10	SSE-75-10-500	15,000G6.3	F
		2.50	2.52	1.13	Spin Tru	C50-12EM800-KB	\$101.56	3/4"-10	SSE-75-10-500	15,000G2.5	D
10.00	2.50	-	-	Kingston	C50-12EM1000-K	\$82.45	3/4"-10	SSE-75-10-500	15,000G6.3	F	
	2.50	-	-	Spin Tru	C50-12EM1000-KB	\$104.10	3/4"-10	SSE-75-10-500	15,000G2.5	D	
1-1/2"	2.25	-	-	-	Kingston	C50-15EM225-K	\$76.95	3/4"-10	SSE-75-10-688	15,000G6.3	F
		-	-	-	Spin Tru	C50-15EM225-KB	\$95.68	3/4"-10	SSE-75-10-688	15,000G2.5	D
		2.75	2.83	-	Lyndex	C50-15EM225-L	\$194.75	3/4"-16(1)	SSE-75-16-688	-	B
	4.00	2.75	-	-	Kingston	C50-15EM400-K	\$76.95	3/4"-10	SSE-75-10-688	15,000G6.3	F
		2.75	4.5	1.12	Parlec*	C50-15EM400-P	\$148.95	3/4"-16(2)	SSE-75-16-625	-	B
	4.50	-	-	-	Kingston	C50-15EM450-K	\$82.45	3/4"-10	SSE-75-10-688	15,000G6.3	F
		-	-	-	Spin Tru	C50-15EM450-KB	\$102.04	3/4"-10	SSE-75-10-688	15,000G2.5	D
		2.99	2.83	-	Lyndex	C50-15EM450-L	\$176.42	3/4"-16(2)	SSE-75-16-688	-	B
	6.00	2.75	-	-	Kingston	C50-15EM600-K	\$82.45	3/4"-10	SSE-75-10-688	15,000G6.3	F
		2.75	4.5	1.12	Parlec*	C50-15EM600-P	\$194.85	3/4"-16(2)	SSE-75-16-625	-	B
	7.00	-	-	-	Kingston	C50-15EM700-K	\$82.45	3/4"-10	SSE-75-10-688	15,000G6.3	F
		-	-	-	Spin Tru	C50-15EM700-KB	\$101.56	3/4"-10	SSE-75-10-688	15,000G2.5	D
2.99		-	-	Sowa	C50-15EM700-GB	\$230.04	3/4"-16	SSE-75-16-688	15,000	C	
8.00	2.75	4.5	1.12	Parlec*	C50-15EM800-P	\$214.20	3/4"-16(2)	SSE-75-16-625	-	B	
	-	-	-	Kingston	C50-15EM900-K	\$82.45	3/4"-10	SSE-75-10-688	15,000G6.3	F	
9.00	-	-	-	Spin Tru	C50-15EM900-KB	\$101.56	3/4"-10	SSE-75-10-688	15,000G2.5	D	
	-	-	-	-	-	-	-	-	-	-	
2"	3.63	3.74	-	-	Sowa	C50-20EM363-GB	\$167.31	1"-14	SSE-100-14-875	15,000	C
	5.37	-	-	-	Spin Tru	C50-20EM537-KB	\$98.20	-	-	15,000G2.5	D
	5.62	3.75	-	-	Kingston	C50-20EM562-K	\$82.45	-	-	15,000G6.3	F
	3.75	3.5	1.41	Parlec	C50-20EM562-P	\$225.90	1"-14(2)	SSE-100-14-875	-	B	
	6.00	3.75	-	-	Techniks	C50-20EM600-T	\$155.70	3/4"-16	SSE-75-16-875	-	B
	8.00	-	-	-	Spin Tru	C50-20EM800-KB	\$100.71	-	-	15,000G2.5	D
2-1/2"	9.62	3.75	-	-	Kingston	C50-20EM962-K	\$142.67	-	-	15,000G6.3	F
	10.00	-	-	-	Spin Tru	C50-20EM1000-KB	\$103.23	-	-	15,000G2.5	D
	3.74	-	-	-	Sowa	C50-20EM1000-GB	\$219.06	1"-14	SSE-100-14-875	15,000	C
	6.00	-	-	-	Spin Tru	C50-250EM600-KB	\$103.23	-	-	15,000G2.5	D
8.00	4.25	-	-	-	Sowa	C50-250EM600-GB	\$237.06	1"-14	SSE-100-14-875	15,000	C
	4	-	-	-	Kingston	C50-250EM800-K	\$129.70	-	-	15,000G6.3	F
4	-	-	-	Spin Tru	C50-250EM800-KB	\$163.77	-	-	15,000G2.5	D	

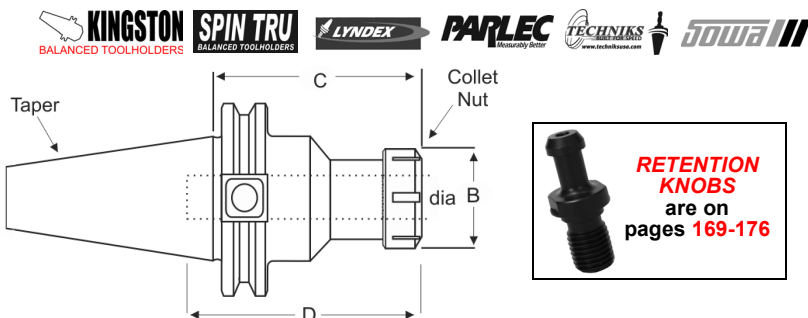
Need Something You Can't Find In Our Catalog?

We Are A Full Line Supplier For All Of The Toolholder Brands Listed. Please Call For More Information!

Call Us Today For All Of Your Machine Tool Needs!

CAT-50 V-FLANGE ER COLLET CHUCKS

ER COLLET CHUCKS



C Proj.	B Nut Dia.	D Socket Depth	Nut Tight. Torque (ft.lbs.)	Brand	Part Number	Price Each	MAX RPM Balanced Up to	Collet Nut	Wrench	Code
ER 16 ER-16 Collet Series-.020 - 0.393 (0.5mm - 10mm)										
4.00	1.26	-	50	Techniks	C50-16ER400-T	\$165.60	18,000G2.5	CN-ER16-T	WR-ER16-T	B
4.12	1.10	-	52	Kingston	C50-16ER412-K	\$126.45	15,000G6.3	CN-ER16-K	WR-ER16-K	F
	1.10	2.76	52	Spin Tru	C50-16ER412-KB	\$133.50	15,000G2.5	CN-ER16-K	WR-ER16-K	D
	1.26	-	52	Sowa	C50-16ER412-GB	\$189.54	15000	CN-ER16-G	WR-ER16-G	C
4.93	1.10	-	52	Kingston	C50-16ER493-K	\$126.45	15,000G6.3	CN-ER16-K	WR-ER16-K	F
6.00	1.10	-	52	Kingston	C50-16ER600-K	\$126.45	15,000G6.3	CN-ER16-K	WR-ER16-K	F
	1.10	-	52	Spin Tru	C50-16ER600-KB	\$133.13	15,000G2.5	CN-ER16-K	WR-ER16-K	D
	1.26	-	52	Lyndex	C50-16ER600-L	\$252.70	-	CN-ER16-L	WR-ER16-L	B
6.12	1.11	2.62	52	Parlec	C50-16ER612-P	\$256.05	-	CN-ER16PN-P	WR-ER16-P	B
8.00	1.10	2.76	52	Spin Tru	C50-16ER800-KB	\$140.50	15,000G2.5	CN-ER16-K	WR-ER16-K	D
	1.26	-	52	Lyndex	C50-16ER800-L	\$273.84	-	CN-ER16-L	WR-ER16-L	B
ER 20 ER-20 Collet Series-.020 - 0.500 (0.5mm - 12.7mm)										
2.50	1.34	-	74	Kingston	C50-20ER250-K	\$126.45	15,000G6.3	CN-ER20-K	WR-ER20-K	F
	1.34	3.15	74	Spin Tru	C50-20ER250-KB	\$122.73	15,000G2.5	CN-ER20-K	WR-ER20-K	D
	1.38	-	74	Lyndex	C50-20ER250-L	\$230.20	-	CN-ER20-L	WR-ER20-L	B
	1.38	-	74	Sowa	C50-20ER250-GB	\$153.09	15000	CN-ER20-G	WR-ER20-G	C
4.00	1.34	-	74	Kingston	C50-20ER400-K	\$126.45	15,000G6.3	CN-ER20-K	WR-ER20-K	F
	1.34	-	74	Spin Tru	C50-20ER400-KB	\$133.50	15,000G2.5	CN-ER20-K	WR-ER20-K	D
	1.38	-	74	Techniks	C50-20ER400-T	\$170.10	18,000G2.5	CN-ER20-T	WR-ER20-T	B
	1.38	-	74	Lyndex	C50-20ER400-L	\$252.70	-	CN-ER20-L	WR-ER20-L	B
6.00	1.34	-	74	Kingston	C50-20ER600-K	\$126.45	15,000G6.3	CN-ER20-K	WR-ER20-K	F
	1.34	-	74	Spin Tru	C50-20ER600-KB	\$135.27	15,000G2.5	CN-ER20-K	WR-ER20-K	D
8.00	1.34	-	74	Kingston	C50-20ER800-K	\$126.45	15,000G6.3	CN-ER20-K	WR-ER20-K	F
	1.34	3.15	74	Spin Tru	C50-20ER800-KB	\$133.13	15,000G2.5	CN-ER20-K	WR-ER20-K	D
	1.38	-	74	Lyndex	C50-20ER800-L	\$308.75	-	CN-ER20-L	WR-ER20-L	B
ER 25 ER-25 Collet Series-.039 - 0.630 (1mm - 16mm)										
2.50	1.65	3.93	95	Spin Tru	C50-25ER250-KB	\$124.63	15,000G2.5	CN-ER25-K	WR-ER25-K	D
	1.65	-	95	Sowa	C50-25ER250-GB	\$186.30	15000	CN-ER25-G	WR-ER25-G	C
4.00	1.65	-	95	Kingston	C50-25ER400-K	\$126.45	15,000G6.3	CN-ER25-K	WR-ER25-K	F
	1.65	-	95	Spin Tru	C50-25ER400-KB	\$133.50	15,000G2.5	CN-ER25-K	WR-ER25-K	D
	1.65	-	95	Lyndex	C50-25ER400-L	\$252.70	-	CN-ER25-L	WR-ER25-L	B
6.00	1.65	-	95	Kingston	C50-25ER600-K	\$126.45	15,000G6.3	CN-ER25-K	WR-ER25-K	F
	1.65	-	95	Spin Tru	C50-25ER600-KB	\$135.27	15,000G2.5	CN-ER25-K	WR-ER25-K	D
	1.65	-	95	Techniks	C50-25ER600-T	\$179.10	18,000G2.5	CN-ER25-T	WR-ER25-T	B
	1.65	-	95	Lyndex	C50-25ER600-L	\$273.84	-	CN-ER25-L	WR-ER25-L	B
8.00	1.65	-	95	Kingston	C50-25ER800-K	\$126.45	15,000G6.3	CN-ER25-K	WR-ER25-K	F
	1.65	-	95	Spin Tru	C50-25ER800-KB	\$133.13	15,000G2.5	CN-ER25-K	WR-ER25-K	D

LATHE CHUCKS
LIVE CENTERS
VISE ACCESSORIES
VISE JAWS
STRAIGHT SHANK COLLET HOLDERS
TAP HOLDERS
DRILL CHUCKS
CARBIDE INSERTS
THREADING/GROOVING
CUTTING TOOLS
MACHINERY
PRECISION TOOLS
DEBURRING
COOLANT/FLUIDS
TOOL STORAGE



We Offer The Complete Line of MONSTER Carbide Endmills!

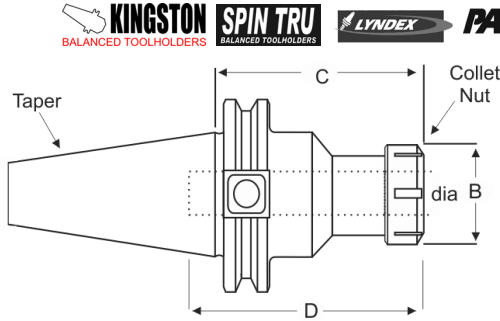
- Top Quality Carbide Endmills At HSS Prices!
- 2, 3 & 4 Flute, Coated and Uncoated
- Square, Ball End, Corner Radius and Rougher/Finishers
- Premium Sub-micron C-2 Carbide With 10% Cobalt
- Micro/Miniature Endmills Available At Unbeatable Prices
- 100% Made In The USA



Call Us Or Visit Our Website For Our Complete Selection!

CAT-50 V-FLANGE ER COLLET CHUCKS

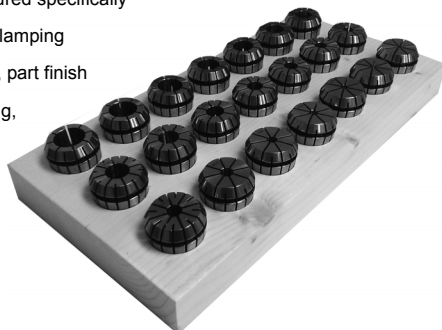
ER COLLET CHUCKS



C Proj.	B Nut Dia.	D Socket Depth	Nut Tight. Torque (ft.lbs.)	Brand	Part Number	Price Each	MAX RPM Balanced Up to	Collet Nut	Wrench	Code
ER 32 ER-32 Collet Series-.040 - 0.810 (1mm - 20.6mm)										
1.06	1.97	-	125	Spin Tru	C50-32ER106-KB	\$124.63	15,000G2.5	CN-ER32-K	WR-ER32-K	D
1.69	1.97	-	125	Spin Tru	C50-32ER169-KB	\$124.63	15,000G2.5	CN-ER32-K	WR-ER32-K	D
4.00	1.97	-	125	Kingston	C50-32ER400-K	\$126.45	15,000G6.3	CN-ER32-K	WR-ER32-K	F
	1.97	-	125	Spin Tru	C50-32ER400-KB	\$133.50	15,000G2.5	CN-ER32-K	WR-ER32-K	D
	1.97	-	125	Techniks	C50-32ER400-T	\$161.10	18,000G2.5	CN-ER32-T	WR-ER32-T	B
	1.97	-	125	Lyndex	C50-32ER400-L	\$232.42	-	CN-ER32-L	WR-ER32-L	B
	1.97	-	125	Sowa	C50-32ER400-GB	\$185.49	15000	CN-ER32-G	WR-ER32-G	C
6.00	1.97	-	125	Kingston	C50-32ER600-K	\$126.45	15,000G6.3	CN-ER32-K	WR-ER32-K	F
	1.97	-	125	Spin Tru	C50-32ER600-KB	\$133.13	15,000G2.5	CN-ER32-K	WR-ER32-K	D
6.12	1.97	3.00	125	Parlec	C50-32ER612-P	\$254.25	-	CN-ER32-P	WR-ER32-P	B
8.00	1.97	3.94	125	Spin Tru	C50-32ER800-KB	\$140.50	15,000G2.5	CN-ER32-K	WR-ER32-K	D
	1.97	-	125	Lyndex	C50-32ER800-L	\$303.76	-	CN-ER32-L	WR-ER32-L	B
ER 40 ER-40 Collet Series-.040 - 0.810 (1mm - 20.6mm)										
1.06	2.48	-	140	Spin Tru	C50-40ER106-KB	\$124.63	15,000G2.5	CN-ER40-K	WR-ER40-K	D
1.69	2.48	-	140	Spin Tru	C50-40ER169-KB	\$124.63	15,000G2.5	CN-ER40-K	WR-ER40-K	D
3.00	2.48	-	140	Kingston	C50-40ER300-K	\$126.45	15,000G6.3	CN-ER40-K	WR-ER40-K	F
	2.48	-	140	Spin Tru	C50-40ER300-KB	\$122.73	15,000G2.5	CN-ER40-K	WR-ER40-K	D
4.00	2.48	-	140	Kingston	C50-40ER400-K	\$126.45	15,000G6.3	CN-ER40-K	WR-ER40-K	F
	2.48	-	140	Spin Tru	C50-40ER400-KB	\$133.50	15,000G2.5	CN-ER40-K	WR-ER40-K	D
	2.48	-	140	Techniks	C50-40ER400-T	\$170.10	18,000G2.5	CN-ER40-T	WR-ER40-T	B
	2.48	-	140	Lyndex	C50-40ER400-L	\$258.35	-	CN-ER40-L	WR-ER40-L	B
4.12	2.48	-	140	Sowa	C50-40ER400-GB	\$196.83	15000	CN-ER40-G	WR-ER40-G	C
	2.36	4.00	162	Parlec	C50-40ER412-P	\$235.80	-	CN-ER40-P	WR-ER40-P	B
6.00	2.48	-	140	Kingston	C50-40ER600-K	\$126.45	15,000G6.3	CN-ER40-K	WR-ER40-K	F
	2.48	-	140	Spin Tru	C50-40ER600-KB	\$133.13	15,000G2.5	CN-ER40-K	WR-ER40-K	D
8.00	2.48	5.91	140	Spin Tru	C50-40ER800-KB	\$140.50	15,000G2.5	CN-ER40-K	WR-ER40-K	D
	2.48	-	140	Lyndex	C50-40ER800-L	\$308.75	-	CN-ER40-L	WR-ER40-L	B

ER COLLET SETS

- Concentricity is 13 microns or 0.0005" TIR or better
- Manufactured with Swiss technology
- Crafted from high quality European alloy spring steel
- TRUE INCH and metric sizes
- Fractional Collets manufactured specifically for US market requirements
- 16 slot construction for rigid clamping and extra concentricity
- Accu-Collets improve tool life, part finish and reduces spindle wear
- Can be used for drilling, milling, tapping and reaming



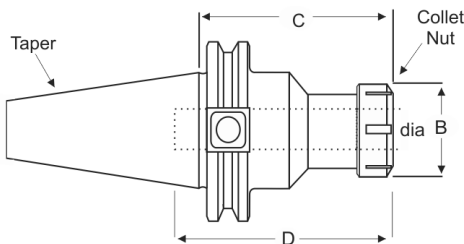
Accu-Collets

Type	Style	Description	No. Of Collets	Part Number	Set Price
ER-8	Metric	1mm to 5mm x .5mm	9	08-SET9	\$118.00
	Inch	1/16"-3/16" x 1/64	9	08-SET9-INCH	\$118.00
ER-11	Metric	1mm to 7mm x .5mm	13	11-SET13	\$105.00
	Inch	1/16"-1/4" x 1/32	7	11-SET7-INCH	\$52.50
ER-16	Metric	1mm to 10mm x 1mm	10	16-SET10	\$78.75
	Inch	1/16" - 3/8" x 1/32"	11	16-SET11-INCH	\$87.50
ER-20	Metric	1mm to 13mm x 1mm	12	20-SET12	\$107.25
	Inch	1/16" - 1/2" x 1/32"	15	20-SET15-INCH	\$136.50
ER-25	Metric	2mm to 16mm x 1mm	15	25-SET15	\$136.50
	Inch	3/32" - 5/8" x 1/32"	18	25-SET18-INCH	\$165.75
ER-32	Metric	3mm to 20mm x 1mm	18	32-SET18	\$174.25
	Inch	1/8"-3/4" x 1/32"	21	32-SET21-INCH	\$205.00
ER-40	Metric	4mm to 26mm x 1mm	23	40-SET23	\$247.50
	Inch	1/8"-1" x 1/16"	15	40-SET15-INCH	\$157.50
	Inch	1/8" - 1" x 1/32"	29	40-SET29-INCH	\$315.00

Call Us Today For All Of Your Machine Tool Needs!

CAT-50 V-FLANGE DA/TG COLLET CHUCKS

DA SERIES COLLET CHUCKS



C Proj.	B Nut Dia.	D Socket Depth	Nut Tight. Torque (ft.lbs.)	Brand	Part Number	Price Each	MAX RPM Balanced Up to	Collet Nut	Wrench	Code
DA 100 DA100 Collet Series-.062 - 0.562 (1.587mm - 14.287mm)										
3.00	-	-	-	Kingston	C50-10DA300-K	\$126.45	15,000G6.3	CN-DA100-K	WR-DA100-K	F
	-	-	-	Spin Tru	C50-10DA300-KB	\$126.45	15,000G2.5	CN-DA100-K	WR-DA100-K	D
6.00	-	-	-	Kingston	C50-10DA600-K	\$126.45	15,000G6.3	CN-DA100-K	WR-DA100-K	F
	-	-	-	Spin Tru	C50-10DA600-KB	\$126.45	15,000G2.5	CN-DA100-K	WR-DA100-K	D
DA 180 DA180 Collet Series-.031 - 0.750 (.800mm - 19mm)										
3.00	-	-	-	Kingston	C50-18DA300-K	\$126.45	15,000G6.3	CN-DA180-K	WR-DA180-K	F
	-	-	-	Spin Tru	C50-18DA300-KB	\$126.45	15,000G2.5	CN-DA180-K	WR-DA180-K	D
3.38	1.44	3.30	40	Parlec	C50-18DA338-P	\$223.20	-	CN-DA180L-P	WR-DA180L-P	B
4.00	1.44	-	-	Lyndex	C50-18DA400-L	\$219.45	-	CN-DA180-L	WR-DA180-L	B
6.00	-	-	-	Kingston	C50-18DA600-K	\$126.45	15,000G6.3	CN-DA180-K	WR-DA180-K	F
	-	-	-	Spin Tru	C50-18DA600-KB	\$126.45	15,000G2.5	CN-DA180-K	WR-DA180-K	D
	1.44	-	-	Lyndex	C50-18DA600-L	\$222.30	-	CN-DA180-L	WR-DA180-L	B
6.15	1.44	6.00	40	Parlec	C50-18DA615-P	\$225.90	-	CN-DA180L-P	WR-DA180L-P	B

DA COLLET SETS

FEATURES:

- DA Collets collapse approx. 1/32"
- Machined to exacting standards
- Ideal choice for high speed and high precision drilling operations
- Tolerance: 0.0003" at collet nose
- Customized sets available! Please call for more information



Collet Series	Description	Part Number	Price
DA300	9 Pieces (1/8"-1/4") by 64ths	DA300-SET9	\$76.50
DA200	17 Pieces (1/8"-3/8") by 64ths	DA200-SET17	\$144.50
DA100	29 Pieces (1/8"-9/16") by 64ths	DA100-SET29	\$246.50
DA180	33 Pieces (1/4-3/4) by 64ths	DA180-SET33	\$363.00
DA180	21 Pieces (1/8-3/4) by 32nds	DA180-SET21	\$231.00

TOOL FIXTURES



FEATURES:

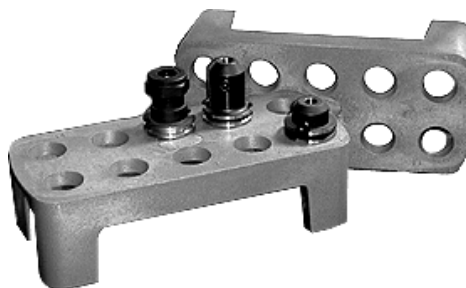
- Holds your CAT-40/50 Tool Holders and keeps them from moving while being tightened.
- Universal Handle makes it easy to use in any position.

D

Taper	Part Number	Price Each
CAT 40	TF-4001-K	\$74.99
CAT 50	TF-5001-K	\$93.50

STURDY PLASTIC HOLDING TRAYS

For CAT or BT Taper Toolholders



FEATURES:

- Can be used with CAT or BT Holders.
- Available for 30, 40 & 50 taper tool holders
- An inexpensive way to organize your tool holders.



B

Taper Size	No. of Holes	Part Number	Price Each
CAT/BT30	10	TRAY30-10	\$29.50
CAT/BT40	10	TRAY40-10	\$29.50
CAT/BT50	6	TRAY50-6	\$34.95

SPINDLE WIPERS



Maintain Contact And Spindle Accuracy!

D

Taper Size	Part Number	Price Each
30	WIPER-300	\$24.99
40	WIPER-400	\$24.99
50	WIPER-500	\$29.99

Call Us Or Visit Our Website For Our Complete Selection!

LATHE CHUCKS
LIVE CENTERS

VICE JAWS
VICE ACCESSORIES

STRAIGHT SHANK
COLLET HOLDERS

TAP HOLDERS
DRILL CHUCKS

CARBIDE INSERTS
THREADING/GROOVING

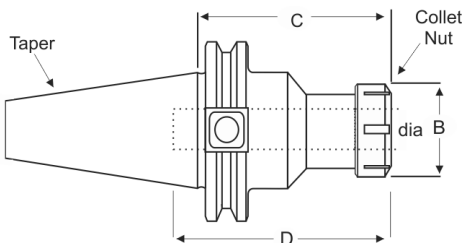
CUTTING TOOLS
MACHINERY

PRECISION TOOLS
DEBURRING

COOLANT/FLUIDS
TOOL STORAGE

CAT-50 V-FLANGE TG COLLET CHUCKS

TG SERIES COLLET CHUCKS



C Proj.	B Nut Dia.	D Socket Depth	Nut Tight. Torque (ft.lbs.)	Brand	Part Number	Price Each	MAX RPM Balanced Up to	Collet Nut	Wrench	Code
TG 075 TG-75 Collet Series-3/64 to 3/4 (1.2mm - 19.1mm)										
3.00	1.97	-	60	Kingston	C50-75TG300-K	\$109.95	15,000G6.3	CN-TG075-K	WR-TG075-K	F
	1.97	-	60	Spin Tru	C50-75TG300-KB	\$145.68	15,000G2.5	CN-TG075-K	WR-TG075-K	D
3.50	1.89	-	60	Lyndex	C50-75TG350-L	\$214.46	-	CN-TG075-L	WR-TG075-L	B
4.50	1.97	-	60	Kingston	C50-75TG450-K	\$109.95	15,000G6.3	CN-TG075-K	WR-TG075-K	F
	1.97	-	60	Spin Tru	C50-75TG450-KB	\$142.12	15,000G2.5	CN-TG075-K	WR-TG075-K	D
6.00	1.97	-	60	Kingston	C50-75TG600-K	\$109.95	15,000G6.3	CN-TG075-K	WR-TG075-K	F
	1.97	-	60	Spin Tru	C50-75TG600-KB	\$138.74	15,000G2.5	CN-TG075-K	WR-TG075-K	D
TG 100 TG-100 Collet Series-5/64 to 1" (2mm - 25.4mm)										
3.00	2.44	-	60	Kingston	C50-10TG300-K	\$109.95	15,000G6.3	CN-TG100-K	WR-TG100-K	F
	2.44	-	60	Spin Tru	C50-10TG300-KB	\$145.68	15,000G2.5	CN-TG100-K	WR-TG100-K	D
	2.36	-	100	Techniks	C50-10TG300-T	\$136.80	18,000G2.5	CN-TG100-T	WR-TG100-T	B
3.50	2.44	4.25	60	Parlec	C50-10TG350-P	\$155.70	-	CN-TG100-P	WR-TG100-P	B
	2.50	-	60	Lyndex	C50-10TG350-L	\$173.57	-	CN-TG100-L	WR-TG100-L	B
5.50	2.44	-	60	Kingston	C50-10TG550-K	\$109.95	15,000G6.3	CN-TG100-K	WR-TG100-K	F
	2.44	-	60	Spin Tru	C50-10TG550-KB	\$142.12	15,000G2.5	CN-TG100-K	WR-TG100-K	D
	2.44	5.50	60	Parlec	C50-10TG550-P	\$188.10	-	CN-TG100-P	WR-TG100-P	B
	2.44	-	60	Sowa	C50-10TG550-GB	\$209.07	15000	CN-TG100-G	WR-TG100-G	C
6.00	2.36	-	100	Techniks	C50-10TG600-T	\$188.10	18,000G2.5	CN-TG100-T	WR-TG100-T	B
7.50	2.44	-	60	Kingston	C50-10TG750-K	\$109.95	15,000G6.3	CN-TG100-K	WR-TG100-K	F
	2.44	-	60	Spin Tru	C50-10TG750-KB	\$138.74	15,000G2.5	CN-TG100-K	WR-TG100-K	D
TG 150 TG-150 Collet Series-23/64 to 1-1/2" (9.1mm - 38.1mm)										
3.50	3.50	-	70	Kingston	C50-15TG350-K	\$109.95	15,000G6.3	CN-TG150-K	WR-TG100-K	F
	3.50	-	70	Spin Tru	C50-15TG350-KB	\$142.12	15,000G2.5	CN-TG150-K	WR-TG100-K	D
5.50	3.50	-	70	Kingston	C50-15TG550-K	\$109.95	15,000G6.3	CN-TG150-K	WR-TG100-K	F
	3.50	-	70	Spin Tru	C50-15TG550-KB	\$142.12	15,000G2.5	CN-TG150-K	WR-TG100-K	D
6.00	3.50	-	70	Lyndex	C50-15TG600-L	\$268.85	-	CN-TG150-L	WR-TG150-L	B
7.50	3.50	-	70	Kingston	C50-15TG750-K	\$109.95	15,000G6.3	CN-TG150-K	WR-TG100-K	F
	3.50	-	70	Spin Tru	C50-15TG750-KB	\$138.74	15,000G2.5	CN-TG150-K	WR-TG100-K	D

TG COLLET SETS

FEATURES:

- TG Collets collapse approx. 1/64"
- Machined to exacting standards
- Ideal choice for high speed and high precision milling and drilling operations
- Tolerance: 0.0003" at collet nose
- Sets available in TG 75, 100 & 150
- Different set quantities available



Collet Series	Set Qty	Range	Part Number	Price
TG 75	11	1/8"-3/4"-16ths	075-SET11	\$203.50
	22	1/8"-3/4"-32nds	075-SET22	\$407.00
	43	3/32"-3/4"-64ths	075-SET43	\$795.50
TG 100	59	3/32"-1"-64ths	100-SET59	\$1,121.00
	41	3/8"-1"-64ths	100-SET41	\$779.00
	30	3/32"-1"-32nds	100-SET30	\$570.00
	21	3/8"-1"-32nds	100-SET21	\$399.00
	15	1/8"-1"-16ths	100-SET15	\$285.00
TG 150	33	1/2"-1-1/2" - 32nds	150-SET33	\$1,402.00

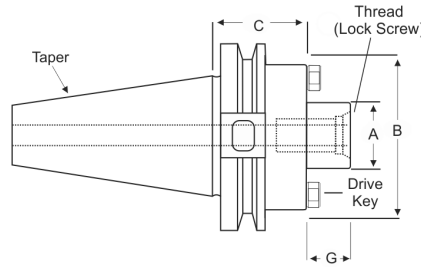
Accu-Collets



Call Us Today For All Of Your Machine Tool Needs!

CAT-50 SHELL MILL HOLDERS

SHELL MILL HOLDERS



Shell Mills are located on pages **298-303**

A Pilot dia	B Dia	C Proj	G	Brand	Part Number	Price	Drive Key	Screw Thread	Lock Screw	Arbor Screw	Code
1/2" 0.500	1.44	5.50	-	Kingston	C50-50SM550-K	\$98.95	-	-	-	-	F
	1.44	5.50	-	Spin Tru	C50-50SM550-KB	\$98.95	-	-	-	-	D
3/4" 0.750	1.75	1.50	-	Kingston	C50-75SM150-K	\$87.95	-	-	-	-	F
	1.75	1.50	-	Spin Tru	C50-75SM150-KB	\$87.95	-	-	-	-	D
	2.00	1.75	0.67	Lyndex	C50-75SM175-L	\$174.09	5/16	3/8"-24	-	A3/8-24	B
	1.75	3.50	-	Kingston	C50-75SM350-K	\$87.95	-	-	-	-	F
	2.00	4.00	0.67	Lyndex	C50-75SM400-L	\$201.40	5/16	3/8"-24	-	A3/8-24	B
	1.75	5.50	-	Kingston	C50-75SM550-K	\$98.95	-	-	-	-	F
	1.75	5.50	-	Spin Tru	C50-75SM550-KB	\$98.95	-	-	-	-	D
	2.00	8.00	0.67	Lyndex	C50-75SM800-L	\$302.81	5/16	3/8"-24	-	A3/8-24	B
1" 1.000"	2.75	1.75	0.69	Lyndex	C50-10SM175-L	\$172.19	3/8"	1/2"-20	-	A1/2-20	B
	2.75	2.00	-	Kingston	C50-10SM200-K	\$87.95	-	-	-	-	F
	2.75	2.00	-	Spin Tru	C50-10SM200-KB	\$87.95	-	-	-	-	D
	2.75	4.00	-	Kingston	C50-10SM400-K	\$87.95	-	-	-	-	F
	2.75	4.00	-	Spin Tru	C50-10SM400-KB	\$87.95	-	-	-	-	D
	2.75	4.00	0.69	Lyndex	C50-10SM400-L	\$201.40	3/8"	1/2"-20	-	A1/2-20	B
	2.75	6.00	-	Kingston	C50-10SM600-K	\$98.95	-	-	-	-	F
	2.75	6.00	-	Spin Tru	C50-10SM600-KB	\$98.95	-	-	-	-	D
1-1/4" 1.250	2.75	1.50	0.68	Parlec	C50-12SM150-P	\$177.30	12KY	5/8"-18	12LS	028-193	B
	2.88	1.50	-	Kingston	C50-12SM150-K	\$87.95	-	-	-	-	F
	2.88	1.50	-	Spin Tru	C50-12SM150-KB	\$87.95	-	-	-	-	D
	2.88	1.75	0.69	Lyndex	C50-12SM175-L	\$175.99	1/2"	5/8"-18	-	A5/8-18	B
	2.88	3.50	-	Kingston	C50-12SM350-K	\$87.95	-	-	-	-	F
	2.88	3.50	-	Spin Tru	C50-12SM350-KB	\$87.95	-	-	-	-	D
	2.88	4.00	0.69	Lyndex	C50-12SM400-L	\$217.55	1/2"	5/8"-18	-	A5/8-18	B
	2.88	5.50	-	Kingston	C50-12SM550-K	\$98.95	-	-	-	-	F
1-1/2" 1.500	2.88	5.50	-	Spin Tru	C50-12SM550-KB	\$98.95	-	-	-	-	D
	3.80	2.00	0.93	Lyndex	C50-15SM200-L	\$191.90	5/8"	3/4"-16	-	A3/4-16	B
	3.81	2.40	-	Spin Tru	C50-15SM240-KB	\$87.95	-	-	-	-	D
	3.38	2.75	-	Kingston	C50-15SM275-K	\$87.95	-	-	-	-	F
	3.80	4.00	0.93	Lyndex	C50-15SM400-L	\$238.69	5/8"	3/4"-16	-	A3/4-16	B
	3.81	4.00	-	Kingston	C50-15SM400-K	\$87.95	-	-	-	-	F
	3.81	4.00	-	Spin Tru	C50-15SM400-KB	\$87.95	-	-	-	-	D
	3.81	6.00	-	Kingston	C50-15SM600-K	\$98.95	-	-	-	-	F
2" 2.000	3.81	6.00	-	Spin Tru	C50-15SM600-KB	\$98.95	-	-	-	-	D
	3.75	6.00	0.94	Parlec	C50-15SM600-P	\$251.10	15KY	3/4"-16	15LS	15LS	B
	4.88	2.75	-	Kingston	C50-20SM275-K	\$87.95	-	-	-	-	F
	4.88	2.75	-	Spin Tru	C50-20SM275-KB	\$87.95	-	-	-	-	D
	4.88	4.00	-	Kingston	C50-20SM400-K	\$87.95	-	-	-	-	F
	4.88	4.00	-	Spin Tru	C50-20SM400-KB	\$87.95	-	-	-	-	D
	4.88	6.00	-	Kingston	C50-20SM600-K	\$98.95	-	-	-	-	F
	4.88	6.00	-	Spin Tru	C50-20SM600-KB	\$98.95	-	-	-	-	D

90° MILLING CUTTERS

For Use With APKT/APGT1604 Series Inserts

CALL FOR OUR HOT MILLING SPECIALS!



Dia. D	Arbor Hole d	Key Width a	Flute Length H	No. of Flutes	Part Number	Price Each
2.00	0.750	0.3125	1.75	4	M-SAP16N-2075-4	\$195.00
2.00	0.750	0.3125	1.75	5	M-SAP16N-2075-5	\$195.00
2.50	1.000	0.3750	2.00	5	M-SAP16N-2510-5	\$199.00
3.00	1.000	0.3750	2.00	6	M-SAP16N-3010-6	\$310.00
3.00	1.000	0.3750	2.00	7	M-SAP16N-3010-7	\$310.00

Call Us Or Visit Our Website For Our Complete Selection!

2019-20 MASTER CATALOG

203

LATHE CHUCKS
LIVE CENTERS

VICE JAWS
VICE ACCESSORIES

STRAIGHT SHANK
COLLET HOLDERS

TAP HOLDERS
DRILL CHUCKS

CARBIDE INSERTS
THREADING/GROOVING

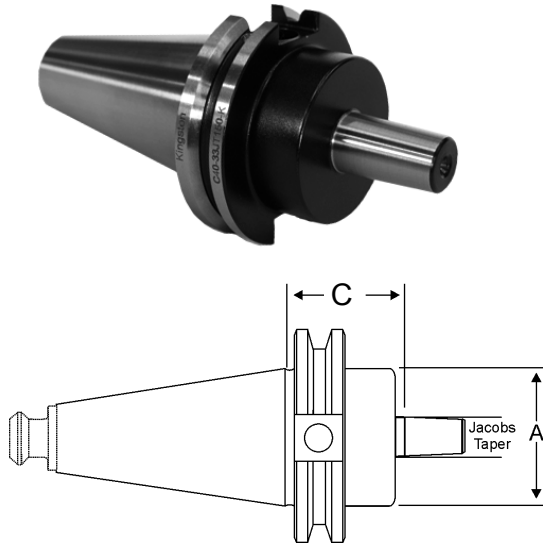
CUTTING TOOLS
MACHINERY

PRECISION TOOLS
DEBURRING

COOLANT/FLUIDS
TOOL STORAGE

CAT-50 JACOBS/MORSE TAPER HOLDERS

JACOBS TAPER HOLDERS



Jacobs Taper	C Proj	A dia	Brand	Part Number	Price	Code
JT 2	1.50	-	Kingston	C50-02JT150-K	\$82.45	F
	1.50	-	Spin Tru	C50-02JT150-KB	\$82.45	D
	1.50	0.56	Parlec	C50-02JT150-P	\$139.05	B
	2.44	0.56	Kingston	C50-02JT244-K	\$82.45	F
	2.44	0.56	Spin Tru	C50-02JT244-KB	\$82.45	D
JT 3	1.50	-	Kingston	C50-03JT150-K	\$82.45	F
	1.50	0.81	Spin Tru	C50-03JT150-KB	\$82.45	D
	1.50	0.81	Parlec	C50-03JT150-P	\$139.05	B
	2.81	0.81	Kingston	C50-03JT281-K	\$82.45	F
	2.81	0.81	Spin Tru	C50-03JT281-KB	\$82.45	D
JT 4	1.50	-	Kingston	C50-04JT150-K	\$82.45	F
	1.50	-	Spin Tru	C50-04JT150-KB	\$82.45	D
	1.50	1.12	Parlec	C50-04JT150-P	\$139.05	B
	3.25	1.13	Kingston	C50-04JT325-K	\$82.45	F
	3.25	1.13	Spin Tru	C50-04JT325-KB	\$82.45	D
JT 6	1.50	0.68	Parlec	C50-06JT150-P	\$139.05	B
	1.59	-	Kingston	C50-06JT159-K	\$82.45	F
	1.59	-	Spin Tru	C50-06JT159-KB	\$82.45	D
	2.59	0.68	Kingston	C50-06JT259-K	\$82.45	F
	2.59	0.68	Spin Tru	C50-06JT259-KB	\$82.45	D
JT 33	1.50	-	Kingston	C50-33JT150-K	\$82.45	F
	1.50	-	Spin Tru	C50-33JT150-KB	\$82.45	D
	1.50	0.62	Parlec	C50-33JT150-P	\$138.15	B
	2.59	0.63	Kingston	C50-33JT259-K	\$82.45	F
	2.59	0.63	Spin Tru	C50-33JT259-KB	\$82.45	D

KEYLESS DRILL CHUCKS

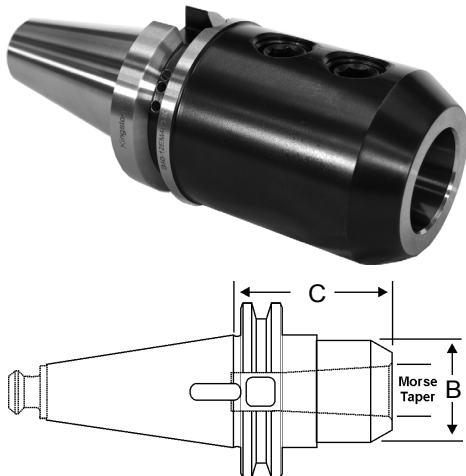
With Integral Shank

- Integral shank precision ball-bearing keyless drill chuck offers greater accuracy and rigidity
- Made of alloy forged steel
- Self-tightening keyless operation
- Maximum TIR: 0.0015"
- Includes wrench



Taper	Capacity	Proj.	BISON Part Number	Price Each	TMX Part Number	Price Each
BT40	1/32"-1/2"	3.74	B40-50DC1-B	\$225.90	TMX-8230-4033	\$217.12
	1/8"-5/8"	3.94	B40-62DC1-B	\$243.90	TMX-8230-4035	\$233.89
CAT40	1/32"-1/2"	4.13	C40-50DC1-B	\$229.50	TMX-8130-4033	\$245.99
	1/8"-5/8"	5.12	C40-62DC1-B	\$246.60	TMX-8130-4035	\$263.93
CAT50	1/32"-1/2"	4.13	C50-50DC1-B	\$273.60	TMX-8130-5063	\$292.76
	1/8"-5/8"	4.33	C50-62DC1-B	\$290.70	TMX-8130-5065	\$310.79

MORSE TAPER HOLDERS



Morse Taper	C Proj	B Face Dia	Brand	Part Number	Price	Code
MT 1	1.50	2.75	Kingston	C50-01MT150-K	\$82.45	F
	1.50	2.75	Spin Tru	C50-01MT150-KB	\$82.45	D
	1.50	2.75	Parlec	C50-01MT150-P	\$225.00	B
MT2	1.50	2.75	Parlec	C50-02MT150-P	\$160.65	B
	2.00	1.25	Kingston	C50-02MT200-K	\$82.45	F
MT 3	2.00	1.25	Spin Tru	C50-02MT200-KB	\$82.45	D
	2.31	2.25	Parlec	C50-03MT231-P	\$160.65	B
	2.31	1.75	Spin Tru	C50-03MT231-KB	\$82.45	D
MT 4	2.5	1.75	Kingston	C50-03MT250-K	\$82.45	F
	3.18	2.00	Kingston	C50-04MT318-K	\$82.45	F
	3.18	2.00	Spin Tru	C50-04MT318-KB	\$82.45	D
MT 5	3.18	2.25	Parlec	C50-04MT318-P	\$163.80	B
	3.75	2.75	Kingston	C50-05MT375-K	\$82.45	F
	3.75	2.75	Spin Tru	C50-05MT375-KB	\$82.45	D
	4.75	2.75	Parlec	C50-05MT475-P	\$189.90	B

Call Us Today For All Of Your Machine Tool Needs!