

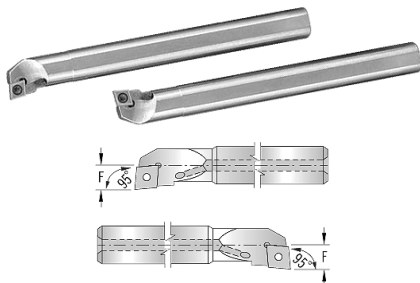
COOLANT-THRU BORING BARS

MI00 DEX

- FEATURES:**
- Durable and unique chrome nickel toolholder
 - Positive chip control
 - Coolant-thru hole design
 - Each holder includes torx screw and torx key

MICRO 100®

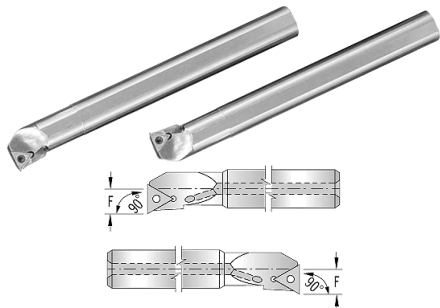
90° Boring & Facing/95° Approach



Uses CCMT 21.51 Inserts (not included)

Toolholder Nomenclature	Shank Dia	OAL	F Over Insert	Min. Bore	Right Hand Part Number	Left Hand Part Number	Price Each
A04F SCLCR 2	1/4	3	.177	.330	MI-200821	MI-200822	\$69.65
A05H SCLCR 2	5/16	4	.197	.380	MI-200823	MI-200824	\$71.50
A06J SCLCR 2	3/8	4 1/2	.275	.490	MI-200825	MI-200826	\$71.50
A08K SCLCR 2	1/2	5	.354	.630	MI-200827	MI-200828	\$77.75
A10M SCLCR 2	5/8	6	.433	.775	MI-200829	MI-200830	\$77.75

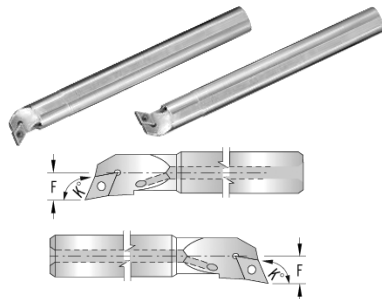
For Blind Holes Using 90° Insert Face



Uses TCMT 21.51 Inserts (not included)

Toolholder Nomenclature	Shank Dia	OAL	F Over Insert	Min. Bore	Right Hand Part Number	Left Hand Part Number	Price Each
A06J STFCR 2	3/8	4 1/2	.275	.490	MI-201031	MI-201032	\$68.25
A08K STFCR 2	1/2	5	.354	.605	MI-201033	MI-201034	\$72.25
A10M STFCR 2	5/8	6	.433	.775	MI-201035	MI-201036	\$73.20

Profile Boring & Facing



MI00 DEX

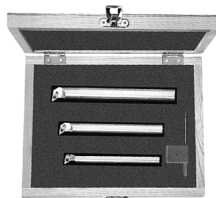
Uses DCMT 21.51 Inserts (not included)

Toolholder Nomenclature	Shank Dia	OAL	F Over Insert	Min. Bore	K Angle	Right Hand Part Number	Left Hand Part Number	Price Each
A05H SDQCR 2	5/16	4	.197	.355	107.5°	MI-200901	MI-200902	\$98.00
A06J SDUCR 2	3/8	4 1/2	.275	.490	93°	MI-200931	MI-200932	\$72.80
A08K SDUCR 2	1/2	5	.354	.605	93°	MI-200933	MI-200934	\$71.73
A10M SDUCR 2	5/8	6	.433	.775	93°	MI-200935	MI-200936	\$72.68

COOLANT-THRU BORING BAR SETS

MI00 DEX

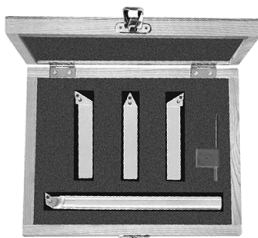
All sets come complete with carbide insert, torx screw and torx key.



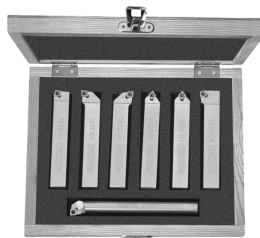
Shank Diameters	Description	Part Number	Set Price
1/4, 5/16, 3/8, 1/2	Set of 4 pcs. SCLCR with CCMT 21.51 insert	MI-400100	\$275.00
3/8, 1/2, 5/8	Set of 3 pcs. SDUCR with DCMT 21.51 insert	MI-402400	\$235.00
3/8, 1/2, 5/8	Set of 3 pcs. STFCR with TCMT 2151 insert	MI-402100	\$235.00

MULTI-PURPOSE SETS

4 Piece Multi-Purpose Set



7 Piece Multi-Purpose Set



Description	Shank Sizes		Part Number	Set Price
	Square 3 PCS.	Round 1 PC.		
4 Piece Multi-Purpose Set 1 ea. SDJCR, SDJCL, SDNCN, SDQCR	5/16	5/16	MI-407200	\$202.05
	3/8	3/8	MI-407201	\$223.75
	1/2	1/2	MI-407202	\$247.35
	5/8	5/8	MI-407203	\$304.60

Description	Square 6 PCS.	Round 1 PC.	Part Number	Set Price
	1/4	1/4		
	5/16	1/4	MI-407102	\$254.85
	3/8	5/16	MI-407103	\$267.25
	1/2	3/8	MI-407104	\$285.95
5/8	1/2	MI-407105	\$385.40	

Call Us Or Visit Our Website For Our Complete Selection!