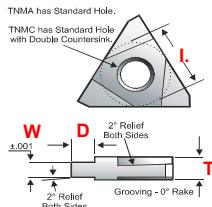


# ON EDGE GROOVING/ THREADING INSERTS

B

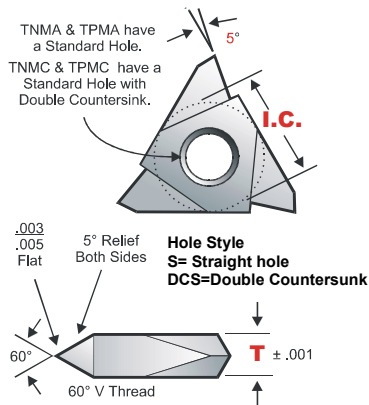
## ON EDGE GROOVING INSERTS



**Full Line Available!**  
Please call for more information.

I.C.	T	D	W	Industry Number (for reference only)	STANDARD HOLE			DOUBLE COUNTERSUNK HOLE				
					Coated GP3 Grade	Price Each	Coated GP-50 Grade	Price Each	Industry Number (for reference only)	Coated GP3 Grade	Price Each	Coated GP-50 Grade
3/8	1/8	.120	.062	TNMA-32-NGL.062	-	\$16.45	-	\$14.84	-	\$14.84	GV-751	\$17.51
				TNMA-32-NGR-.062	-		GV-702		-		GV-753	
		TNMA-32-NGL.094	-	GV-704	-		GV-754					
		TNMA-32-NGR-.094	GV-604	GV-705	-		GV-755					
1/2	3/16	.120	.062	TNMA-32-NGC.125	GV-605	\$17.51	GV-706	\$17.51	TNMC-32-NGC.125	GV-655	\$17.51	GV-756
				TNMA-43-NGL.062	GV-606		TNMC-32-NGR-.062		GV-652	GV-757		
		TNMA-43-NGR-.062	GV-607	TNMC-32-NGL.094	GV-653		GV-758					
		TNMA-43-NGL.094	GV-608	TNMC-32-NGR-.094	GV-654		GV-759					
		TNMA-43-NGR-.094	GV-609	TNMC-32-NGC.125	GV-655		GV-760					
		TNMA-43-NGL.125	GV-610	TNMC-43-NGL.062	GV-656		GV-761					
		TNMA-43-NGR-.125	GV-611	TNMC-43-NGR-.062	GV-657		GV-762					
		TNMA-43-NGL.156	-	TNMC-43-NGL.094	GV-658		GV-763					
		TNMA-43-NGR-.156	-	TNMC-43-NGR-.094	GV-659		GV-764					
		TNMA-43-NGC-.125	GV-612	TNMC-43-NGL.125	GV-660		GV-765					
		TNMA-43-NGL-.156	-	TNMC-43-NGR-.125	GV-661		-					
		TNMA-43-NGR-.156	-	TNMC-43-NGC-.125	-		-					
TNMA-43-NGC-.188	GV-615	TNMC-43-NGL-.156	GV-663	-								
-	-	TNMC-43-NGR-.156	GV-664	-								
-	-	TNMC-43-NGC-.188	GV-665	-								

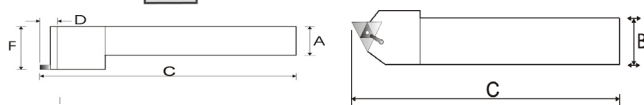
## 60° V ON EDGE THREADING INSERTS



TPI	IC	T	R	Hole Style	Rake	Industry Number	Coated GP3	Price Each	Coated GP50	Price Each
8-36	3/8	.127	.003/.005	S	NEG	TNMA-32NV	VT-601	\$16.45	VT-701	\$16.45
5-24	1/2	.189	.003/.005	S	NEG	TNMA-43NV	VT-602	\$16.45	VT-702	\$17.86
4-20	5/8	.252	.008/.010	S	NEG	TNMA-54NV	VT-603	\$25.20	VT-703	\$25.20
8-36	3/8	.127	.003/.005	S	POS	TPMA-32NV	VT-604	\$15.75	VT-704	\$15.75
5-24	1/2	.189	.003/.005	S	POS	TPMA-43NV	VT-605	\$18.53	VT-705	\$18.53
4-20	5/8	.252	.008/.010	S	POS	TPMA-54NV	VT-606	\$23.15	VT-706	\$23.15
8-36	3/8	.127	.003/.005	DCS	NEG	TNMC-32NV	VT-607	\$16.45	VT-707	\$16.45
5-24	1/2	.189	.003/.005	DCS	NEG	TNMC-43NV	VT-608	\$16.45	VT-708	\$16.45
4-20	5/8	.252	.008/.010	DCS	NEG	TNMC-54NV	VT-609	\$25.20	VT-709	\$25.20
8-36	3/8	.127	.003/.005	DCS	POS	TPMC-32NV	VT-610	\$15.75	VT-710	\$15.75
5-24	1/2	.189	.003/.005	DCS	POS	TPMC-43NV	VT-611	\$18.53	VT-711	\$18.53
4-20	5/8	.252	.008/.010	DCS	POS	TPMC-54NV	VT-612	\$23.15	VT-712	\$23.15

## HOLDERS FOR EXTERNAL GROOVING & THREADING

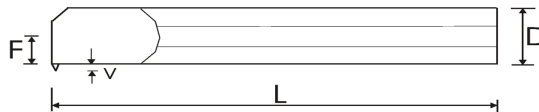
From either of the two insert tables above match the **IC of the insert** to the holders in the table below to get matched Inserts and Holders for your needs.



Left/Right	Insert IC	A	B	C	D	E	F	Holder Part Number	Price Each
R	3/8	3/4	3/4	4-1/2	.15	1.08	1.00	T-MTVOR123	\$83.55
L	3/8	3/4	3/4	4-1/2	.15	1.08	1.00	T-MTVOL123	\$83.55
R	3/8	1	1	6	.15	1.08	1.25	T-MTVOR163	\$86.94
L	3/8	1	1	6	.15	1.08	1.25	T-MTVOL163	\$86.94
R	1/2	3/4	3/4	4-1/2	.23	1.23	1.00	T-MTVOR124	\$83.55
L	1/2	3/4	3/4	4-1/2	.23	1.23	1.00	T-MTVOL124	\$83.55
R	1/2	1	1	6	.23	1.23	1.25	T-MTVOR164	\$86.94
L	1/2	1	1	6	.23	1.23	1.25	T-MTVOL164	\$86.94
R	1/2	1-1/4	1-1/4	7	.23	1.23	1.5	T-MTVOR204	\$102.43
R	5/8	1	1	6	.29	1.43	1.25	T-MTVOR165	\$86.94
L	5/8	1	1	6	.29	1.43	1.25	T-MTVOL165	\$86.94
R	5/8	1-1/4	1-1/4	7	.29	1.43	1.5	T-MTVOR205	\$102.43

## BARS FOR INTERNAL GROOVING & THREADING

From either of the two insert tables above match the **IC of the insert** to the holders in the table below to get matched Inserts and Holders for your needs.



Left/Right	Insert IC	Min Bore	D	L	F	V	Bar Part Number	Price Each
R	3/8	1.383	1.000	14	.687	.120	T-SIMTHOR163	\$237.39
L	3/8	1.383	1.000	14	.687	.120	T-SIMTHOL163	\$248.19
R	1/2	1.815	1.25	14	.875	.190	T-SIMTHOR204	\$295.42
L	1/2	1.815	1.25	14	.875	.190	T-SIMTHOL204	\$306.22
R	1/2	1.892	1.50	14	1.000	.190	T-SIMTHOR244	\$299.46
L	1/2	1.892	1.50	14	1.000	.190	T-SIMTHOL244	\$310.27
R	5/8	2.125	1.500	14	1.073	.220	T-SIMTHOR245	\$249.74
L	5/8	2.125	1.500	14	1.073	.220	T-SIMTHOL245	\$310.27
R	5/8	2.75	2.000	14	1.323	.320	T-SIMTHOR325	\$362.89

Call Us Or Visit Our Website For Our Complete Selection!

LATHE CHUCKS  
LIVE CENTERS

WISE JAWS  
WISE ACCESSORIES

STRAIGHT SHANK  
COLLET HOLDERS

TAP HOLDERS  
DRILL CHUCKS

CARBIDE INSERTS  
THREADING/GROOVING

CUTTING TOOLS  
MACHINERY

PRECISION TOOLS  
DEBURRING

COOLANT/FLUIDS  
TOOL STORAGE