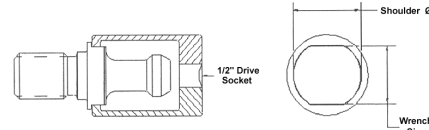


## RETENTION KNOB SOCKETS

Most CNC facilities are unaware of the critical importance of correctly measuring torque when installing retention knobs. Operators often employ adjustable wrenches and similar crude tools that poorly grip the retention knob and fail to measure torque. For optimal performance and safety, retention knobs are designed to be tightened to specific torque settings. Stud Socket allows the operator to safely and correctly torque retention knobs.



### FEATURES:

- Aids in the installation and removal of retention knobs
- Use in conjunction with a torque wrench to uniformly tighten knobs to Manufacturer's standards
- Extends life of retention knob and toolholder-helps to eliminate "rounding off" of knob's corners
- Torque value clearly laser marked on socket
- Sockets have 1/2" drive- For use with Torque Wrench (Part Number RK-WRENCH)

USST Retention Knob or Standard	Retention Knob Socket	Price Each	Max Torque ft/lbs
JMTBA Std. PT30-I	RK-W30M-A	\$49.00	40lbs
JMTBA Std. PT30-II	RK-W30M-A		40lbs
B30-4500H	RK-W30M-A		40lbs
B30-4500S	RK-W30M-A		40lbs
B30-6000S	RK-W30M-A		40lbs
B30-9000S	RK-W30M-A		40lbs
B30-7500H	RK-W30M-A	40lbs	
DIN Std. 30	RK-W30D	\$56.70	40lbs
JMTBA Std. PT35-I	RK-W40M	\$61.43	40lbs
JMTBA Std. PT35-II	RK-W40M		40lbs
JMTBA Std. PT40-I	RK-W40-A	\$49.00	85lbs
JMTBA Std. PT40-II	RK-W40-A		85lbs
B40-4502S	RK-W40-A		85lbs
B40-4500H	RK-W40-A		85lbs
B40-6000H	RK-W40-A	\$49.00	85lbs
B40-6000S	RK-W40-A		85lbs
B40-9000H	RK-W40-A		85lbs
B40-9000S	RK-W40-A		85lbs
B40-4503H	RK-W40-A		85lbs
B40-4503S	RK-W40-A		85lbs
B40-4501H	RK-W40-A	\$49.00	85lbs
B40-4501S	RK-W40-A		85lbs
ISO Std A 40	RK-W40-A		85lbs
B40-7500H	RK-W40-A		85lbs
B40-7500S	RK-W40-A	\$49.00	85lbs
DIN Std. 40	RK-W40-A		85lbs
B40-7501H	RK-W40-A		85lbs
JMTBA Std. PT45-I	RK-W45M	\$66.15	100lbs
JMTBA Std. PT45-II	RK-W45M		100lbs
B45-4500S	RK-W45M	\$66.15	100lbs
B45-6000S	RK-W45M		100lbs
B45-9000S	RK-W45M		100lbs

USST Retention Knob or Standard	Retention Knob Socket	Price Each	Max Torque ft/lbs
ISO Std A 45	RK-W45M	\$66.15	100lbs
DIN Std. 45	RK-W45M		100lbs
JMTBA Std. PT50-I	RK-W50M-A	\$59.00	110lbs
JMTBA Std. PT50-II	RK-W50M-A		110lbs
B50-4500H	RK-W50M-A	\$59.00	110lbs
B50-4500S	RK-W50M-A		110lbs
B50-6000H	RK-W50M-A		110lbs
B50-6000S	RK-W50M-A		110lbs
B50-9000H	RK-W50M-A		110lbs
B50-9000S	RK-W50M-A		110lbs
B50-4509H-NEW	RK-W50	\$69.30	110lbs
B50-4509S	RK-W50		110lbs
ISO Std A 50	RK-W50M-A	\$59.00	110lbs
DIN Std. 50	RK-W50M-A		110lbs
B50-7500S-NEW	RK-W50M-A		110lbs
B50-7500H-NEW	RK-W50M-A	110lbs	
1U.S. Std. ANSI 30	RK-W30	\$56.70	40 lbs
C30-4500H	RK-W30		40 lb
C30-4500S	RK-W30		40 lb
C40-4501H	RK-W40-A	\$49.00	85lbs
C40-4501S	RK-W40-A		85lbs
C40-4501SG	RK-W40-A		-
C40-4502H	RK-W40-A		85lbs
C40-4502S	RK-W40-A		85lbs
C40-4504S	RK-W40-A		85lbs
C40-6006S	RK-W40-A	\$49.00	85lbs
C40-6006H	RK-W40-A		85lbs
C40-6000H	RK-W40-A		85lbs
C40-6000S	RK-W40-A		85lbs
C40-MITSUI	RK-W40-A		85lbs
C40-9006S	RK-W40-A		85lbs
C40-9006H	RK-W40-A	\$49.00	85lbs
C40-9001S	RK-W40-A		85lbs

USST Retention Knob or Standard	Retention Knob Socket	Price Each	Max Torque ft/lbs
C40-9000H	RK-W40-A	\$49.00	85lbs
C40-9000S	RK-W40-A		85lbs
C40-4503H	RK-W40-A		85lbs
C40-4503S	RK-W40-A	\$49.00	85lbs
1U.S. Std. ANSI 40	RK-W40-A		85lbs
C40-4500H	RK-W40-A		85lbs
C40-4500S	RK-W40-A		85lbs
C40-4500SG	RK-W40-A		-
C40-4505H	RK-W40-A		85lbs
C40-4505S	RK-W40-A	\$49.00	85lbs
C40-7500H	RK-W40-A		85lbs
C40-7509S	RK-W40-A		85lbs
C40-7551H	RK-W40-A	\$66.15	100lbs
C45-4500S	RK-W45M		100lbs
C45-6000S	RK-W45M		100lbs
C45-9000S	RK-W45M		100lbs
C45-4501H	RK-W45	\$66.15	100lbs
C45-4501S	RK-W45		100lbs
1U.S. Std. ANSI 45	RK-W45		100lbs
C50-4501H	RK-W50-A	\$59.00	110lbs
C50-4501R	RK-W50-A		110lbs
C50-4501S	RK-W50-A		110lbs
C50-6000H	RK-W50-A		110lbs
C50-6000S	RK-W50-A		110lbs
C50-9000H	RK-W50-A		110lbs
C50-9000S	RK-W50-A	\$59.00	110lbs
1U.S. Std. ANSI 50	RK-W50-A		110lbs
C50-4500H	RK-W50-A		110lbs
C50-4500R	RK-W50-A		110lbs
C50-4500S	RK-W50-A		110lbs
C50-4506H	RK-W50-A		\$59.00
C50-4506R	RK-W50-A	110lbs	
C50-7550H	RK-W50-A	110lbs	

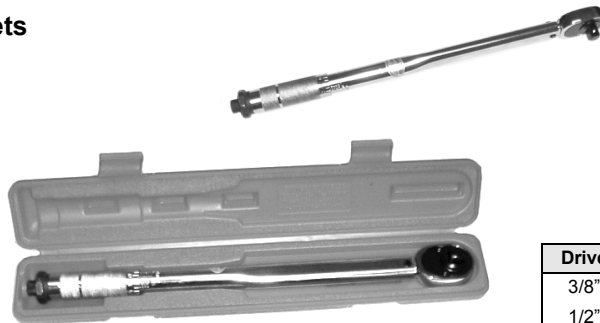
## TORQUE WRENCHES

For Use With Retention Knob Sockets



### FEATURES:

- For use with retention knob sockets
- Using 1/2" or 3/8" drive wrenches
- Dial-in torque setting up to 150 ft/lbs for 1/2" and 80 ft/lbs for 3/8"
- Both ft/lbs marking scales available
- Reversible ratchet
- Supplied with durable plastic case



Drive	Part Number	Price
3/8"	RK-WRENCH-3/8	\$49.99
1/2"	RK-WRENCH	\$49.99

Call Us Or Visit Our Website For Our Complete Selection!

LATHE CHUCKS  
LIVE CENTERS

WISE JAWS  
WISE ACCESSORIES

STRAIGHT SHANK  
COLLET HOLDERS

TAP HOLDERS  
DRILL CHUCKS

CARBIDE INSERTS  
THREADING/GROOVING

CUTTING TOOLS  
MACHINERY

PRECISION TOOLS  
DEBURRING

COOLANT/FLUIDS  
TOOL STORAGE