



# SAW ARBORS

## SIDE MILLING SAW ARBORS With Quad Key Drive Assist

**FEATURES:**

- The only SEMI-FLUSH keyed (removable) arbor for cutter with or without a drive key
- .0004" TIR
- Made from domestic 4340 aircraft alloy steel with targeted heat treat for maximum performance and less cutter vibration
- Unique body design engineered to eliminate common stress points found on typical milling arbors
- "Quad Drive Support Cap" extends deep into the body for extra cutter support and smoother cutter performance at higher RPM's
- Additional 360° of even torque (square drive) for cutter without a key slot
- Made in USA



Shank Dia.	Cutter I.D.	Cutter Width	Body Length	OAL	Cap Flange	Part Number	Price Each
.500	0.500	0-.093	3.09	3.18	3/32	GIL-QSMA-500	\$209.00
	0.625	0-.150	3.31	3.44	1/8	GIL-QSMA-625	\$227.05
	0.875	0-.187	4.18	4.36	3/16	GIL-QSMA-875	\$274.55
.750	1.000	0-.250	4.82	5.03	1/4	GIL-QSMA-1000	\$296.40
	1.000	0-.281	4.87	5.12	1/4	GIL-QSMA-1000-1	\$296.40
1.000	1.250	0-.312	5.25	5.53	9/32	GIL-QSMA-1250	\$307.80

**Low Profile Design!**



**BENEFITS:**

- 30 second cutter size changes-from .001" thick to .312" thick (model QSMA-1250)
- Square drive allows cutter to run in either direction
- Extra long square drive for deep cutter support and a smoother cut
- No bushings or extra spacers needed, saving you money



## SAW ARBORS

"STANDARD PRECISION" For Slitting / Sawing Applications  
"GOLD SERIES" For Grinding/ Slitting/ Sawing Applications

**Buy The Set & Save!!!**



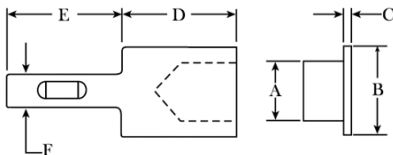
**"Standard Precision" Features:**

- General purpose arbor
- Vibra-core Design
- Lowest Profile Caps
- Accurate general purpose arbor
- Hardened and ground
- Deep sleeve design gives extra support and less cutter slippage
- Low profile caps and longer reaches
- Weldon shanks
- Wooden stand



**"Gold Series" Features:**

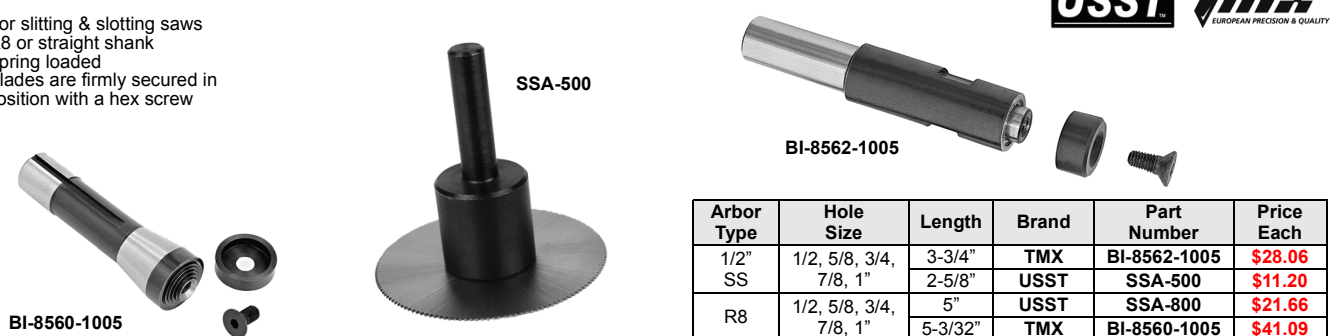
- Ultra precision arbor
- Engineered for carbide cutters
- Higher RPM'S & accuracy
- Vibra-core\* design
- Deep low profile caps gives extra support and less vibration
- Heat treated and ground to .0004" concentricity and square



Shank F	A	B	C	D	E	Standard Precision Arbors	Price Each	Gold Series Arbors	Price Each
.500	.250	.500	.080	1.000		SIE-SA-250	\$39.98	SIE-GSSA-250	\$130.99
	.375	.625	.080	1.180	1.700	SIE-SA-375	\$41.84	SIE-GSSA-375	\$156.86
	.500	.750	.095	1.370		SIE-SA-500	\$44.52	SIE-GSSA-500	\$169.01
.750	.625	1.000	.122	1.500		SIE-SA-625	\$48.56	SIE-GSSA-625	\$179.58
	1.000	1.500	.160	1.750	2.030	SIE-SA-1000	\$56.44	SIE-GSSA-1000	\$210.43
	1.250	1.750	.220	2.000		SIE-SA-1250	\$57.00	SIE-GSSA-1250	\$220.69

## SLITTING & SLOTING SAW ARBORS

- For slitting & slotting saws
- R8 or straight shank
- Spring loaded
- Blades are firmly secured in position with a hex screw



Arbor Type	Hole Size	Length	Brand	Part Number	Price Each
1/2" SS	1/2, 5/8, 3/4, 7/8, 1"	3-3/4"	TMX	BI-8562-1005	\$28.06
		2-5/8"	USST	SSA-500	\$11.20
R8	1/2, 5/8, 3/4, 7/8, 1"	5"	USST	SSA-800	\$21.66
		5-3/32"	TMX	BI-8560-1005	\$41.09

Call Us Today For All Of Your Machine Tool Needs!

CHUCK JAWS  
LATHE WORKHOLDING

MACHINE VISES  
VISE JAWS

RETENTION KNOBS  
ER, DA, TG COLLETS

TOOLHOLDERS  
TAP HOLDERS

INDEXABLE DRILLS  
TURNING & BORING

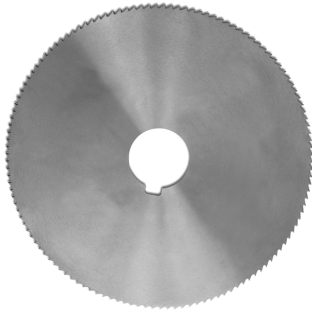
ENDMILLS, DRILLS  
TAPS & REAMERS

ABRASIVES  
MEASURING TOOLS

MRO & SAFETY  
FLAT STOCK/DRILL ROD

# SLITTING SAWS

## PLAIN METAL SLITTING SAWS



- HSS
- For general slotting or cut-off operations
- Tolerances:  
OD: +.015" Width: +.001"  
Hole Dia: +.001"
- Additional sizes available

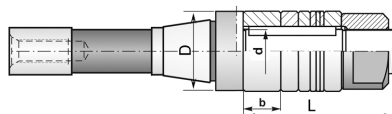
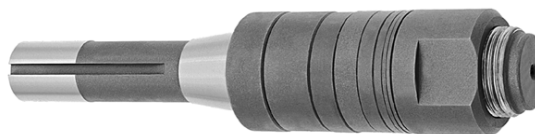
Dia	Face Width	Hole Size	# of Teeth	Part Number	Price Each
1-3/4	1/32	1/2	28	BI-5747-002	\$16.33
2	1/16	1/2	28	BI-5747-005	\$14.45
2	3/32	1/2	28	BI-5747-007	\$16.33
2	1/8	1/2	28	BI-5747-010	\$16.33
2-1/2	3/64	3/8	28	BI-5747-012	\$16.33
2-1/2	1/32	3/8	28	BI-5747-013	\$16.33
2-1/2	1/32	7/8	28	BI-5747-015	\$16.33
2-1/2	3/64	7/8	28	BI-5747-020	\$16.33
2-1/2	1-1/16	7/8	28	BI-5747-025	\$16.33
2-1/2	3/32	7/8	28	BI-5747-030	\$16.33
2-1/2	1/8	7/8	28	BI-5747-035	\$16.33
2-1/2	1/16	1	28	BI-5747-038	\$16.33
3	1/64	1	30	BI-5747-040	\$30.43
3	1/32	1	30	BI-5747-045	\$17.87
3	3/64	1	30	BI-5747-050	\$17.87
3	1/16	1	30	BI-5747-055	\$18.96
3	5/64	1	30	BI-5747-060	\$18.96
3	3/32	1	30	BI-5747-065	\$18.96
3	7/64	1	30	BI-5747-070	\$19.51
3	1/8	1	30	BI-5747-075	\$19.51
3	9/64	1	30	BI-5747-080	\$20.30
3	5/32	1	30	BI-5747-085	\$20.30
3	3/16	1	30	BI-5747-087	\$21.95
3-1/2	1/32	1	30	BI-5747-090	\$25.36
3-1/2	3/64	1	30	BI-5747-095	\$26.25
3-1/2	1/16	1	30	BI-5747-100	\$26.25
3-1/2	3/32	1	30	BI-5747-105	\$27.68
3-1/2	1/8	1	30	BI-5747-109	\$29.22
3-1/2	1/8	1	30	BI-5747-110	\$29.22
3-1/2	9/64	1	30	BI-5747-111	\$31.99
3-1/2	5/32	1	30	BI-5747-112	\$31.99
3-1/2	3/16	1	30	BI-5747-113	\$31.99
3-1/2	3/16	1	36	BI-5747-114	\$31.99
4	1/64	1	36	BI-5747-115	\$41.46
4	1/32	1	36	BI-5747-120	\$25.36
4	3/64	1	36	BI-5747-125	\$26.25
4	1/16	1	36	BI-5747-130	\$26.25
4	5/64	1	36	BI-5747-135	\$27.68
4	3/32	1	36	BI-5747-140	\$27.68
4	7/64	1	36	BI-5747-145	\$29.22
4	1/8	1	36	BI-5747-150	\$29.22
4	9/64	1	36	BI-5747-155	\$30.33
4	5/32	1	36	BI-5747-160	\$30.33
4	3/16	1	36	BI-5747-165	\$31.99

Dia	Face Width	Hole Size	# of Teeth	Part Number	Price Each
4-1/2	1/32	1	36	BI-5747-170	\$41.46
4-1/2	3/64	1	36	BI-5747-175	\$35.06
4-1/2	1/16	1	36	BI-5747-180	\$35.06
4-1/2	3/32	1	36	BI-5747-185	\$38.28
4-1/2	1/8	1	36	BI-5747-190	\$39.92
5	3/64	1	40	BI-5747-195	\$35.06
5	1/16	1	40	BI-5747-200	\$35.06
5	5/64	1	40	BI-5747-205	\$37.16
5	3/32	1	40	BI-5747-210	\$38.28
5	7/64	1	40	BI-5747-215	\$39.92
5	1/8	1	40	BI-5747-220	\$39.92
5	9/64	1	40	BI-5747-225	\$42.35
5	5/32	1	40	BI-5747-230	\$42.35
5	3/16	1	40	BI-5747-235	\$44.88
5	1/16	1-1/4	40	BI-5747-201	\$35.06
5	3/32	1-1/4	40	BI-5747-211	\$38.28
5	1/8	1-1/4	40	BI-5747-240	\$39.92
5	5/32	1-1/4	40	BI-5747-231	\$42.35
5	3/16	1-1/4	40	BI-5747-236	\$44.88
6	3/64	1	42	BI-5747-245	\$52.16
6	1/16	1	42	BI-5747-250	\$45.87
6	5/64	1	42	BI-5747-255	\$48.74
6	3/32	1	42	BI-5747-260	\$53.06
6	7/64	1	42	BI-5747-265	\$56.31
6	1/8	1	42	BI-5747-270	\$54.81
6	9/64	1	42	BI-5747-275	\$58.45
6	5/32	1	42	BI-5747-276	\$63.86
6	3/16	1	42	BI-5747-280	\$65.51
6	1/16	1-1/4	42	BI-5747-283	\$45.87
6	3/32	1-1/4	42	BI-5747-284	\$52.93
6	1/8	1-1/4	42	BI-5747-285	\$54.81
6	5/32	1-1/4	42	BI-5747-287	\$63.63
8	3/32	1	48	BI-5747-292	\$103.22
8	1/8	1	48	BI-5747-295	\$115.25
8	3/16	1	48	BI-5747-297	\$129.58
8	3/32	1-1/4	48	BI-5747-293	\$103.22
8	1/8	1-1/4	48	BI-5747-300	\$115.25
8	3/16	1-1/4	48	BI-5747-305	\$129.58
8	1/4	1-1/4	48	BI-5747-307	\$135.65
10	3/32	1-1/4	56	BI-5747-318	\$170.38
10	1/8	1-1/4	56	BI-5747-320	\$170.38
10	3/16	1-1/4	56	BI-5747-335	\$205.68
10	1/4	1-1/4	62	BI-5747-340	\$205.68

## SLITTING SAW STUB MILL ARBORS

With R8 Shank

- Made of Alloy Forged Steel for long durable service life
- Hardened to RC 56-60 and ground to ensure maximum accuracy
- Face is held perpendicular to center line within 0.0004"
- Pilot diameter is sized for precision fit with cutter and is keyed for positive drive
- Heavy duty locking LH nut and set of arbor spacers are included
- Draw Bar Thread 7/16" x 20



Arbor Type	Arbor Dia	D	Wrench Size S	L	Part Number	Price Each
R-8	1"	1.50	1.25	2.00	BI-7070-005	\$147.60
	1-1/4"	1.75	1.50	2.00	BI-7070-010	\$159.94

Call Us Today For All Of Your Machine Tool Needs!

## SCREW SLOTING SAWS



- Designed for shallow cuts such as slotting screw and bolt heads
- Concave ground sides insure proper side relief
- Saws have standard keyways
- Tolerances:  
 Outside diameter: +.015"  
 Hole diameter: +.001"  
 Width: +.001"
- High Speed Steel



Dia	Face Width	Hole Size	# of Teeth	Part Number	Price Each	Dia	Face Width	Hole Size	# of Teeth	Part Number	Price Each
1-3/4	0.010	1/2	90	BI-5745-006	\$10.04	2-3/4	0.072	1	56	BI-5745-530	\$11.13
1-3/4	0.013	1/2	90	BI-5745-014	\$9.04	2-3/4	0.081	1	56	BI-5745-535	\$12.91
1-3/4	0.020	1/2	90	BI-5745-031	\$6.68	2-3/4	0.091	1	56	BI-5745-540	\$14.00
1-3/4	0.008	5/8	90	BI-5745-004	\$10.70	2-3/4	0.102	1	56	BI-5745-545	\$14.66
1-3/4	0.010	5/8	90	BI-5745-005	\$10.04	2-3/4	0.114	1	56	BI-5745-550	\$15.11
1-3/4	0.012	5/8	90	BI-5745-010	\$9.04	2-3/4	0.128	1	56	BI-5745-555	\$15.55
1-3/4	0.014	5/8	90	BI-5745-015	\$7.34	2-3/4	0.144	1	56	BI-5745-560	\$17.87
1-3/4	0.016	5/8	90	BI-5745-020	\$7.16	2-3/4	0.162	1	56	BI-5745-565	\$19.51
1-3/4	0.018	5/8	90	BI-5745-025	\$6.96	2-3/4	0.010	3/4	72	BI-5745-185	\$17.87
1-3/4	0.020	5/8	90	BI-5745-030	\$6.68	2-3/4	0.016	3/4	72	BI-5745-200	\$14.23
1-3/4	0.023	5/8	90	BI-5745-035	\$6.68	2-3/4	0.020	3/4	72	BI-5745-210	\$9.27
1-3/4	0.025	5/8	90	BI-5745-040	\$6.68	2-3/4	0.023	3/4	72	BI-5745-215	\$9.27
1-3/4	0.028	5/8	90	BI-5745-045	\$6.68	2-3/4	0.025	3/4	72	BI-5745-220	\$9.27
1-3/4	0.032	5/8	90	BI-5745-050	\$6.68	2-3/4	0.028	3/4	72	BI-5745-225	\$9.27
1-3/4	0.036	5/8	90	BI-5745-055	\$6.96	2-3/4	0.032	3/4	72	BI-5745-230	\$9.27
1-3/4	0.040	5/8	90	BI-5745-060	\$6.96	2-3/4	0.036	3/4	72	BI-5745-235	\$9.27
1-3/4	0.045	5/8	90	BI-5745-065	\$6.96	2-3/4	0.040	3/4	72	BI-5745-240	\$9.27
1-3/4	0.051	5/8	90	BI-5745-070	\$6.96	2-3/4	0.051	3/4	72	BI-5745-250	\$11.13
1-3/4	0.057	5/8	90	BI-5745-075	\$7.34	2-3/4	0.057	3/4	72	BI-5745-255	\$11.13
1-3/4	0.064	5/8	90	BI-5745-080	\$7.82	2-3/4	0.064	3/4	72	BI-5745-260	\$11.13
1-3/4	0.072	5/8	90	BI-5745-082	\$7.82	2-3/4	0.072	3/4	72	BI-5745-265	\$11.13
2-1/4	0.008	5/8	60	BI-5745-084	\$20.87	2-3/4	0.081	3/4	72	BI-5745-270	\$12.91
2-1/4	0.010	5/8	60	BI-5745-085	\$14.78	2-3/4	0.091	3/4	72	BI-5745-275	\$14.00
2-1/4	0.014	5/8	60	BI-5745-095	\$10.65	2-3/4	0.102	3/4	72	BI-5745-280	\$14.66
2-1/4	0.016	5/8	60	BI-5745-100	\$10.65	2-3/4	0.114	3/4	72	BI-5745-285	\$15.11
2-1/4	0.018	5/8	60	BI-5745-105	\$8.82	2-3/4	0.128	3/4	72	BI-5745-290	\$15.55
2-1/4	0.020	5/8	60	BI-5745-110	\$8.82	2-3/4	0.162	3/4	72	BI-5745-291	\$19.51
2-1/4	0.023	5/8	60	BI-5745-115	\$8.82	2-3/4	0.182	3/4	72	BI-5745-292	\$22.94
2-1/4	0.025	5/8	60	BI-5745-120	\$8.82	2-3/4	0.010	1	72	BI-5745-295	\$17.87
2-1/4	0.028	5/8	60	BI-5745-125	\$8.33	2-3/4	0.012	1	72	BI-5745-300	\$16.33
2-1/4	0.032	5/8	60	BI-5745-130	\$8.33	2-3/4	0.013	1	72	BI-5745-301	\$16.33
2-1/4	0.035	5/8	60	BI-5745-134	\$8.33	2-3/4	0.014	1	72	BI-5745-305	\$15.34
2-1/4	0.036	5/8	60	BI-5745-135	\$8.33	2-3/4	0.016	1	72	BI-5745-310	\$14.23
2-1/4	0.040	5/8	60	BI-5745-140	\$8.82	2-3/4	0.018	1	72	BI-5745-315	\$13.46
2-1/4	0.045	5/8	60	BI-5745-145	\$9.27	2-3/4	0.020	1	72	BI-5745-320	\$9.27
2-1/4	0.051	5/8	60	BI-5745-150	\$9.27	2-3/4	0.023	1	72	BI-5745-325	\$9.27
2-1/4	0.057	5/8	60	BI-5745-155	\$9.27	2-3/4	0.025	1	72	BI-5745-330	\$9.27
2-1/4	0.064	5/8	60	BI-5745-160	\$9.27	2-3/4	0.028	1	72	BI-5745-335	\$9.27
2-1/4	0.072	5/8	60	BI-5745-165	\$9.27	2-3/4	0.032	1	72	BI-5745-340	\$9.27
2-1/4	0.081	5/8	60	BI-5745-170	\$9.93	2-3/4	0.035	1	72	BI-5745-343	\$9.27
2-1/4	0.091	5/8	60	BI-5745-175	\$10.70	2-3/4	0.036	1	72	BI-5745-345	\$9.27
2-1/4	0.102	5/8	60	BI-5745-180	\$11.59	2-3/4	0.040	1	72	BI-5745-350	\$9.27
2-3/4	0.014	1	56	BI-5745-460	\$15.34	2-3/4	0.045	1	72	BI-5745-355	\$11.13
2-3/4	0.016	1	56	BI-5745-465	\$14.23	2-3/4	0.051	1	72	BI-5745-360	\$11.13
2-3/4	0.018	1	56	BI-5745-470	\$13.46	2-3/4	0.057	1	72	BI-5745-365	\$11.13
2-3/4	0.020	1	56	BI-5745-475	\$9.27	2-3/4	0.064	1	72	BI-5745-370	\$11.13
2-3/4	0.023	1	56	BI-5745-480	\$9.27	2-3/4	0.072	1	72	BI-5745-375	\$11.13
2-3/4	0.025	1	56	BI-5745-485	\$9.27	2-3/4	0.074	1	72	BI-5745-377	\$12.46
2-3/4	0.028	1	56	BI-5745-490	\$9.27	2-3/4	0.081	1	72	BI-5745-380	\$12.91
2-3/4	0.032	1	56	BI-5745-495	\$9.27	2-3/4	0.091	1	72	BI-5745-385	\$14.00
2-3/4	0.036	1	56	BI-5745-500	\$9.27	2-3/4	0.102	1	72	BI-5745-390	\$14.66
2-3/4	0.040	1	56	BI-5745-505	\$9.27	2-3/4	0.114	1	72	BI-5745-395	\$15.11
2-3/4	0.045	1	56	BI-5745-510	\$11.13	2-3/4	0.128	1	72	BI-5745-400	\$15.55
2-3/4	0.051	1	56	BI-5745-515	\$11.13	2-3/4	0.144	1	72	BI-5745-405	\$17.87
2-3/4	0.057	1	56	BI-5745-520	\$11.13	2-3/4	0.162	1	72	BI-5745-410	\$19.51
2-3/4	0.064	1	56	BI-5745-525	\$11.13	2-3/4	0.182	1	72	BI-5745-415	\$22.94

LATHE CHUCKS  
 LIVE CENTERS  
 VISE ACCESSORIES  
 VISE JAWS  
 STRAIGHT SHANK COLLET HOLDERS  
 TAP HOLDERS  
 DRILL CHUCKS  
 CARBIDE INSERTS  
 THREADING/GROOVING  
 CUTTING TOOLS  
 MACHINERY  
 PRECISION TOOLS  
 DEBURRING  
 COOLANT/FLUIDS  
 TOOL STORAGE

Call Us Or Visit Our Website For Our Complete Selection!



