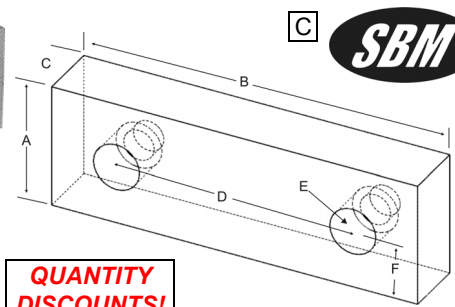
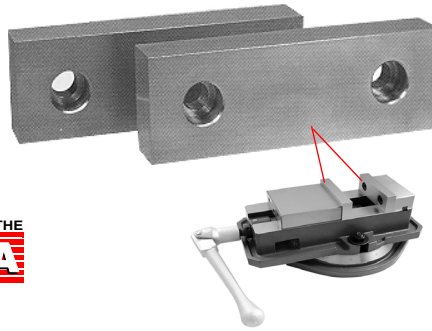


# MACHINABLE VISE JAWS

## MACHINABLE VISE JAWS ALUMINUM AND STEEL For Precision Machine Vises

**FEATURES:**

- Fits Kurt™ Anglock™, Te-Co™, Palmgren™ and similar precision machine vises
- Perfect for easy and quick set-ups, reducing down time
- Customize jaws for drill or mill features
- Reusable, saving you time and money!
- Price is for set of 2 jaws
- **QUANTITY DISCOUNTS!** Buy 10 or more sets (mix & match) and receive an additional **10% discount**



**QUANTITY DISCOUNTS!**

Vise Size	Height Inch	Length Inch	Hole Space	Screw Size	Hole Dist.	Width Inch	STEEL		ALUMINUM	
							Part Number	Price Set of 2	Part Number	Price Set of 2
4"	1-3/4	4	2-1/2	3/8	.687	3/4	VJ-451	\$17.58	VJ-401	\$8.53
	2	4	2-1/2	3/8	.687	1	VJ-452	\$20.64	VJ-402	\$15.47
6"	2	6	3-7/8	1/2	.937	3/4	VJ-651	\$20.97	VJ-601	\$15.52
						1	VJ-652	\$24.31	VJ-602	\$17.23
						1-1/4	VJ-653	\$29.32	VJ-603	\$20.38
						1-1/2	VJ-654	\$37.51	VJ-604	\$25.05
						2	VJ-656	\$42.96	VJ-606	\$28.47
	12	3-7/8	1/2	.937	1	VJ-659	\$51.09	VJ-609	\$31.27	
					1-1/4	VJ-660	\$60.05	VJ-610	\$38.26	
					1	VJ-661	\$37.51	VJ-611	\$27.22	
					2	VJ-657	\$52.87	VJ-607	\$40.31	
					1	VJ-662	\$47.46	VJ-612	\$34.84	
3	6	3-7/8	1/2	.937	1-1/2	VJ-655	\$58.71	VJ-605	\$38.10	
					2	VJ-658	\$69.60	VJ-608	\$44.83	
					1	VJ-662	\$47.46	VJ-612	\$34.84	
4	6	3-7/8	1/2	.937	1-1/2	VJ-655	\$58.71	VJ-605	\$38.10	
					2	VJ-658	\$69.60	VJ-608	\$44.83	
8"	2-1/2	8	4-3/4	5/8	1.220	1	VJ-851	\$39.49	VJ-801	\$25.16
						1-1/4	VJ-852	\$49.82	VJ-802	\$34.62

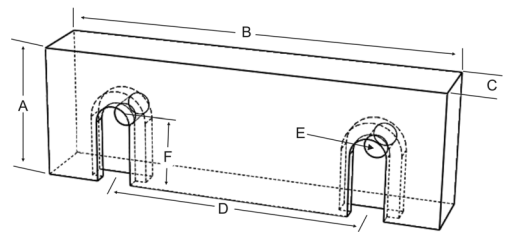
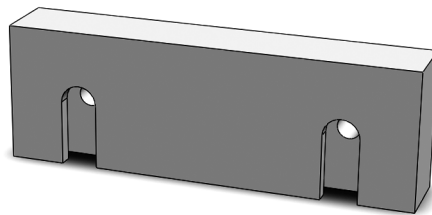
STEEL Vise Jaws are made from C1018 Cold Roll Steel and can be hardened. ALUMINUM Vise Jaws are made from 6061-T6 Bar Stock.

\*Kurt is a registered trademark of Kurt Manufacturing. Te-Co and Palmgren are trademarks of their respective companies.

## ULTRA QUICK CHANGE MACHINABLE VISE JAWS

**FEATURES:**

- Available in Steel or Aluminum
- Customize jaws for your desired job specifications
- Quick change style master jaws are compatible with industry standard vise jaws
- Can be heat treated
- Aluminum Jaws are ideal for delicate work
- **QUANTITY DISCOUNTS!** Buy 10 or more sets (mix & match) and receive an additional 10% discount



## MOUNTING SCREWS For Quick Change Vise Jaws

- High quality screws are black oxidized for durability and long life
- Low head screws for use on all "quick change" vise jaws
- 4 screws per package



Vise Size	Part Number	Price Per Pack
4"	SN-4LHS-16	\$6.41
6"	SN-6LHS-13	\$8.79
8"	SN-8LHS-11	\$17.34

Vise Size	Height	Length	Hole Space	Screw Size	Hole Dist.	Width	STEEL		ALUMINUM	
							Part Number	Price Set of 2	Part Number	Price Set of 2
4"	1-3/4	4	2-1/2	3/8	.687	3/4	VJ-4QM41707S-U	\$23.29	VJ-4QM41707A-U	\$18.28
	2	4	2-1/2	3/8	.687	1	VJ-4QM42010S-U	\$27.33	VJ-4QM42010A-U	\$20.88
6"	2	6	3-7/8	1/2	.937	3/4	VJ-6QM62007S-U	\$27.76	VJ-6QM62007A-U	\$20.95
						1	VJ-6QM62010S-U	\$32.19	VJ-6QM62010A-U	\$23.27
						1-1/4	VJ-6QM62012S-U	\$37.34	VJ-6QM62012A-U	\$27.51
						1-1/2	VJ-6QM62015S-U	\$44.06	VJ-6QM62015A-U	\$33.81
						2	VJ-6QM62020S-U	\$53.17	VJ-6QM62020A-U	\$39.29
	12	3-7/8	1/2	.937	1	VJ-6QM22010S-U	\$61.15	VJ-6QM22010A-U	\$42.10	
					1-1/4	VJ-6QM22012S-U	\$69.95	VJ-6QM22012A-U	\$49.09	
					1	VJ-6QM63010S-U	\$45.38	VJ-6QM63010A-U	\$36.75	
					2	VJ-6QM63020S-U	\$62.90	VJ-6QM63020A-U	\$51.14	
					1	VJ-6QM64010S-U	\$57.60	VJ-6QM64010A-U	\$43.27	
4	6	3-7/8	1/2	.937	1-1/2	VJ-6QM64015S-U	\$68.62	VJ-6QM64015A-U	\$48.93	
					2	VJ-6QM64020S-U	\$79.31	VJ-6QM64020A-U	\$55.65	

STEEL Vise Jaws are made from C1018 Cold Roll Steel and can be hardened. ALUMINUM Vise Jaws are made from 6061-T6 Bar Stock.

Call Us Today For All Of Your Machine Tool Needs!

# MACHINED VISE JAWS

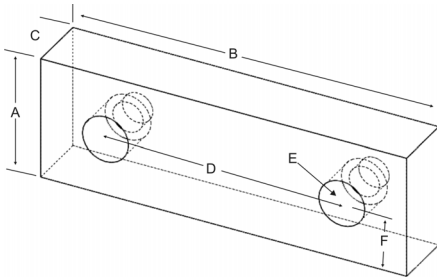
## MACHINED ALUMINUM VISE JAWS

For Precision Machine Vises

- Fits Kurt™ Anglock™, Te-Co™, Palmgren™ and similar precision machine vises
- Machined for better locating and precise positioning
- Parallel-no need to “true-up” jaws prior to machining part!
- Chamfered for accurate fit between vise bed and vise jaw
- Machinable-customize to your desired shape
- Reusable, saving you time and money!
- Price is for set of 2 jaws
- **QUANTITY DISCOUNTS!** Buy 10 or more sets (mix & match) and receive an additional **10% DISCOUNT**



**MACHINED!**



Vise Size	Height	Length	Width	Hole Spacing	Screw Size	Hole Dist.	ALUMINUM Part Number	Price Per Pair	
4"	1.50	4.00	0.75	2-1/2	3/8	.687	VJ-4A041507MR*	\$9.91	
		5.00	1.00	2-1/2	3/8	.687	VJ-4A051501M	\$9.80	
		4.00	1.50	2-1/2	3/8	.687	VJ-4A041515M	\$12.13	
	2.00	4.00	1.00	2-1/2	3/8	.687	VJ-4A040201M	\$9.47	
		5.00	1.00	2-1/2	3/8	.687	VJ-4A050201M	\$13.03	
		6.00	1.00	2-1/2	3/8	.687	VJ-4A060201M	\$14.91	
2.50	5.00	1.00	2-1/2	3/8	.687	VJ-4A052501M	\$16.37		
6"	2.00	6.00	0.75	3-7/8	1/2	.937	VJ-6A060207M	\$11.11	
			1.00	3-7/8	1/2	.937	VJ-6A060201M	\$13.35	
			1.00	3-7/8	1/2	.937	VJ-6A060201MR*	\$14.45	
		8.00	1.00	3-7/8	1/2	.937	VJ-6A080201M	\$17.14	
		10.00	1.00	3-7/8	1/2	.937	VJ-6A100201M	\$25.49	
		12.00	1.00	3-7/8	1/2	.937	VJ-6A120201M	\$29.94	
	2.00	6.00	1.25	3-7/8	1/2	.937	VJ-6A060212M	\$16.67	
			1.25	3-7/8	1/2	.937	VJ-6A080212M	\$22.16	
			1.50	3-7/8	1/2	.937	VJ-6A060215M	\$20.48	
		8.00	1.50	3-7/8	1/2	.937	VJ-6A080215M	\$27.72	
		10.00	1.50	3-7/8	1/2	.937	VJ-6A100215M	\$33.05	
		12.00	1.50	3-7/8	1/2	.937	VJ-6A120215M	\$44.29	
	2.00	6.00	2.00	3-7/8	1/2	.937	VJ-6A060202M	\$24.15	
			2.00	3-7/8	1/2	.937	VJ-6A100202M	\$44.07	
			2.00	3-7/8	1/2	.937	VJ-6A120202M	\$52.20	
		16.00	2.00	3-7/8	1/2	.937	VJ-6A160202M	\$69.89	
		2.50	6.00	1.00	3-7/8	1/2	.937	VJ-6A062501M	\$16.68
				1.25	3-7/8	1/2	.937	VJ-6A062512M	\$21.26
	2.00			3-7/8	1/2	.937	VJ-6A062502M	\$34.05	
	3.00	6.00	1.00	3-7/8	1/2	.937	VJ-6A060301M	\$20.48	
			1.00	3-7/8	1/2	.937	VJ-6A080301M	\$26.60	
		12.00	1.00	3-7/8	1/2	.937	VJ-6A120301M	\$43.07	
		6.00	2.00	3-7/8	1/2	.937	VJ-6A060302M	\$40.85	
	4.00	6.00	1.00	3-7/8	1/2	.937	VJ-6A060401M	\$27.27	
5.00	6.00	1.00	3-7/8	1/2	.937	VJ-6A060501M	\$43.18		
6.00	6.00	1.00	3-7/8	1/2	.937	VJ-6A060601M	\$42.85		
8"	2.50	8.00	2.00	4-3/4	5/8	1.220	VJ-8A082502MR*	\$46.51	

\*Kurt is a registered trademark of Kurt Manufacturing. Te-Co and Palmgren are trademarks of their respective companies.

\*R=Reversible

## 10 PACK VISE JAWS

Aluminum- Fits 6" Anglock Type Vises

**BUY THE 10 PACK & SAVE EVEN MORE!**

**\*\*INCLUDES FREE SHIPPING\*\***



- Fits 6" industry standard vises
- Made from 6061 T6 aluminum
- Hole space: 3.875"
- Hole center height: 0.937
- Screw size: 1/2"
- 10 pairs per pack
- Tumbled or machined finish
- Made in the USA
- FREE Ground shipping



Length	Height	Width	Style	Part Number	Package Price	
6"	2"	3/4	Tumbled	VJ-601-10	\$132.70	
		3/4	Machined	VJ-6A060207M-10	\$94.99	
		1	Tumbled	VJ-602-10	\$147.32	
		1	Machined	VJ-6A060201M-10	\$114.14	
		1	Mach./Reversible	VJ-6A060201MR10	\$123.55	
		1-1/4	Tumbled	VJ-603-10	\$174.25	
		1-1/4	Machined	VJ-6A060212M-10	\$142.53	
		1-1/2	Machined	VJ-6A060215M-10	\$175.10	
		2	Machined	VJ-6A060202M-10	\$206.48	
		2-1/2"	1	Machined	VJ-6A062501M-10	\$142.61
		3"	1	Machined	VJ-6A060301M-10	\$175.10

Call Us Or Visit Our Website For Our Complete Selection!

**2019-20 MASTER CATALOG**

**129**

LATHE CHUCKS  
LIVE CENTERS

VISE JAWS  
VISE ACCESSORIES

STRAIGHT SHANK  
COLLET HOLDERS

TAP HOLDERS  
DRILL CHUCKS

CARBIDE INSERTS  
THREADING/GROOVING

CUTTING TOOLS  
MACHINERY

PRECISION TOOLS  
DEBURRING

COOLANT/FLUIDS  
TOOL STORAGE