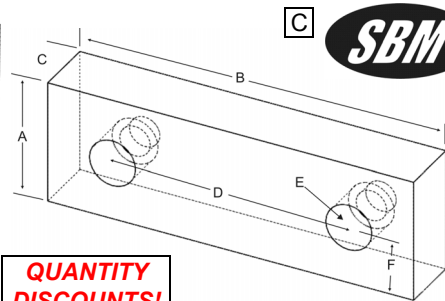
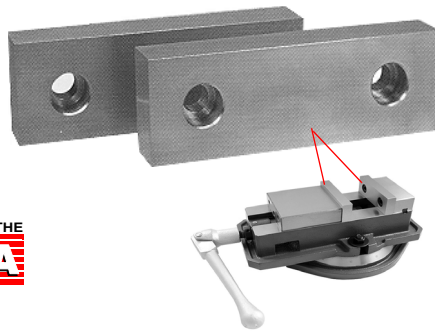


MACHINABLE VISE JAWS

MACHINABLE VISE JAWS ALUMINUM AND STEEL For Precision Machine Vises

FEATURES:

- Fits Kurt™ Anglock™, Te-Co™, Palmgren™ and similar precision machine vises
- Perfect for easy and quick set-ups, reducing down time
- Customize jaws for drill or mill features
- Reusable, saving you time and money!
- Price is for set of 2 jaws
- **QUANTITY DISCOUNTS!** Buy 10 or more sets (mix & match) and receive an additional **10% discount**



QUANTITY DISCOUNTS!

Vise Size	Height Inch	Length Inch	Hole Space	Screw Size	Hole Dist.	Width Inch	STEEL		ALUMINUM	
							Part Number	Price Set of 2	Part Number	Price Set of 2
4"	1-3/4	4	2-1/2	3/8	.687	3/4	VJ-451	\$17.58	VJ-401	\$8.53
	2	4	2-1/2	3/8	.687	1	VJ-452	\$20.64	VJ-402	\$15.47
6"	2	6	3-7/8	1/2	.937	3/4	VJ-651	\$20.97	VJ-601	\$15.52
						1	VJ-652	\$24.31	VJ-602	\$17.23
						1-1/4	VJ-653	\$29.32	VJ-603	\$20.38
						1-1/2	VJ-654	\$37.51	VJ-604	\$25.05
						2	VJ-656	\$42.96	VJ-606	\$28.47
	12	3-7/8	1/2	.937	1	VJ-659	\$51.09	VJ-609	\$31.27	
					1-1/4	VJ-660	\$60.05	VJ-610	\$38.26	
	3	6	3-7/8	1/2	.937	1	VJ-661	\$37.51	VJ-611	\$27.22
						2	VJ-657	\$52.87	VJ-607	\$40.31
	4	6	3-7/8	1/2	.937	1	VJ-662	\$47.46	VJ-612	\$34.84
1-1/2						VJ-655	\$58.71	VJ-605	\$38.10	
8"	2-1/2	8	4-3/4	5/8	1.220	1	VJ-851	\$39.49	VJ-801	\$25.16
						1-1/4	VJ-852	\$49.82	VJ-802	\$34.62

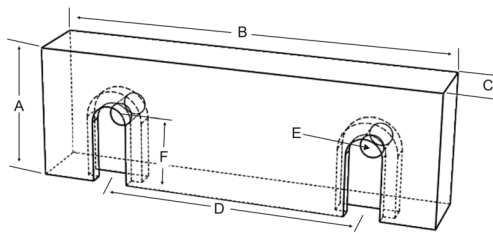
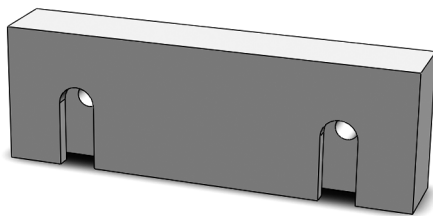
STEEL Vise Jaws are made from C1018 Cold Roll Steel and can be hardened. ALUMINUM Vise Jaws are made from 6061-T6 Bar Stock.

*Kurt is a registered trademark of Kurt Manufacturing. Te-Co and Palmgren are trademarks of their respective companies.

ULTRA QUICK CHANGE MACHINABLE VISE JAWS

FEATURES:

- Available in Steel or Aluminum
- Customize jaws for your desired job specifications
- Quick change style master jaws are compatible with industry standard vise jaws
- Can be heat treated
- Aluminum Jaws are ideal for delicate work
- **QUANTITY DISCOUNTS!** Buy 10 or more sets (mix & match) and receive an additional 10% discount



MOUNTING SCREWS For Quick Change Vise Jaws

- High quality screws are black oxidized for durability and long life
- Low head screws for use on all "quick change" vise jaws
- 4 screws per package



Vise Size	Part Number	Price Per Pack
4"	SN-4LHS-16	\$6.41
6"	SN-6LHS-13	\$8.79
8"	SN-8LHS-11	\$17.34

Vise Size	Height	Length	Hole Space	Screw Size	Hole Dist.	Width	STEEL		ALUMINUM	
							Part Number	Price Set of 2	Part Number	Price Set of 2
4"	1-3/4	4	2-1/2	3/8	.687	3/4	VJ-4QM41707S-U	\$23.29	VJ-4QM41707A-U	\$18.28
	2	4	2-1/2	3/8	.687	1	VJ-4QM42010S-U	\$27.33	VJ-4QM42010A-U	\$20.88
6"	2	6	3-7/8	1/2	.937	3/4	VJ-6QM62007S-U	\$27.76	VJ-6QM62007A-U	\$20.95
						1	VJ-6QM62010S-U	\$32.19	VJ-6QM62010A-U	\$23.27
						1-1/4	VJ-6QM62012S-U	\$37.34	VJ-6QM62012A-U	\$27.51
						1-1/2	VJ-6QM62015S-U	\$44.06	VJ-6QM62015A-U	\$33.81
						2	VJ-6QM62020S-U	\$53.17	VJ-6QM62020A-U	\$39.29
	12	3-7/8	1/2	.937	1	VJ-6QM22010S-U	\$61.15	VJ-6QM22010A-U	\$42.10	
					1-1/4	VJ-6QM22012S-U	\$69.95	VJ-6QM22012A-U	\$49.09	
	3	6	3-7/8	1/2	.937	1	VJ-6QM63010S-U	\$45.38	VJ-6QM63010A-U	\$36.75
						2	VJ-6QM63020S-U	\$62.90	VJ-6QM63020A-U	\$51.14
	4	6	3-7/8	1/2	.937	1	VJ-6QM64010S-U	\$57.60	VJ-6QM64010A-U	\$43.27
1-1/2						VJ-6QM64015S-U	\$68.62	VJ-6QM64015A-U	\$48.93	
8"	2-1/2	8	4-3/4	5/8	1.220	1	VJ-6QM64020S-U	\$79.31	VJ-6QM64020A-U	\$55.65
						2	VJ-6QM64020S-U	\$79.31	VJ-6QM64020A-U	\$55.65

STEEL Vise Jaws are made from C1018 Cold Roll Steel and can be hardened. ALUMINUM Vise Jaws are made from 6061-T6 Bar Stock.

Call Us Today For All Of Your Machine Tool Needs!